

LBR

Two-wire 4 ... 20 mA/HART



GB



Contents

1	About this document	4
1.1	Function	4
1.2	Target group	4
1.3	Symbols used.....	4
2	For your safety	5
2.1	Authorised personnel	5
2.2	Appropriate use.....	5
2.3	Warning about incorrect use.....	5
2.4	General safety instructions	5
2.5	EU conformity.....	6
2.6	NAMUR recommendations	6
2.7	Radio license for Europe	6
2.8	Radio license for USA	7
2.9	Radio license for Canada	7
2.10	Installation and operation in the USA and Canada	9
2.11	Safety instructions for Ex areas	9
3	Product description	10
3.1	Configuration	10
3.2	Principle of operation.....	10
3.3	Packaging, transport and storage.....	11
3.4	Accessories.....	11
4	Mounting	13
4.1	General instructions	13
4.2	Mounting versions, plastic horn antenna	13
4.3	Mounting preparations, mounting strap	16
4.4	Mounting instructions	17
5	Connecting to power supply	28
5.1	Preparing the connection	28
5.2	Connecting.....	29
5.3	Wiring plan, single chamber housing.....	30
5.4	Switch-on phase.....	31
6	Set up with the display and adjustment module	32
6.1	Insert display and adjustment module	32
6.2	Adjustment system	33
6.3	Measured value indication - Selection of national language	34
6.4	Parameter adjustment - Quick setup	35
6.5	Parameter adjustment - Extended adjustment.....	35
6.6	Saving the parameterisation data.....	49
7	Setup with PACTware	50
7.1	Connect the PC.....	50
7.2	Parameter adjustment	50
7.3	Saving the parameterisation data.....	50
8	Diagnosis, asset management and service	51
8.1	Maintenance	51
8.2	Measured value and event memory	51

8.3	Asset Management function.....	52
8.4	Rectify faults.....	55
8.5	Exchanging the electronics module.....	58
8.6	How to proceed if a repair is necessary.....	58
9	Dismount.....	59
9.1	Dismounting steps.....	59
9.2	Disposal	59
10	Supplement	60
10.1	Technical data	60
10.2	Radio astronomy stations	71
10.3	Dimensions	71
10.4	Trademark	81



Safety instructions for Ex areas

Take note of the Ex specific safety instructions for Ex applications. These instructions are attached as documents to each instrument with Ex approval and are part of the operating instructions.

Editing status: 2020-04-21

1 About this document

1.1 Function

This instruction provides all the information you need for mounting, connection and setup as well as important instructions for maintenance, fault rectification, the exchange of parts and the safety of the user. Please read this information before putting the instrument into operation and keep this manual accessible in the immediate vicinity of the device.

1.2 Target group

This operating instructions manual is directed to trained personnel. The contents of this manual must be made available to the qualified personnel and implemented.

1.3 Symbols used



Information, note, tip: This symbol indicates helpful additional information and tips for successful work.



Note: This symbol indicates notes to prevent failures, malfunctions, damage to devices or plants.



Caution: Non-observance of the information marked with this symbol may result in personal injury.



Warning: Non-observance of the information marked with this symbol may result in serious or fatal personal injury.



Danger: Non-observance of the information marked with this symbol results in serious or fatal personal injury.



Ex applications

This symbol indicates special instructions for Ex applications.



List

The dot set in front indicates a list with no implied sequence.



Sequence of actions

Numbers set in front indicate successive steps in a procedure.



Battery disposal

This symbol indicates special information about the disposal of batteries and accumulators.

2 For your safety

2.1 Authorised personnel

All operations described in this documentation must be carried out only by trained, qualified personnel authorised by the plant operator.

During work on and with the device, the required personal protective equipment must always be worn.

2.2 Appropriate use

LBR is a sensor for continuous level measurement.

You can find detailed information about the area of application in chapter "*Product description*".

Operational reliability is ensured only if the instrument is properly used according to the specifications in the operating instructions manual as well as possible supplementary instructions.

2.3 Warning about incorrect use

Inappropriate or incorrect use of this product can give rise to application-specific hazards, e.g. vessel overflow through incorrect mounting or adjustment. Damage to property and persons or environmental contamination can result. Also, the protective characteristics of the instrument can be impaired.

2.4 General safety instructions

This is a state-of-the-art instrument complying with all prevailing regulations and directives. The instrument must only be operated in a technically flawless and reliable condition. The operator is responsible for the trouble-free operation of the instrument. When measuring aggressive or corrosive media that can cause a dangerous situation if the instrument malfunctions, the operator has to implement suitable measures to make sure the instrument is functioning properly.

The safety instructions in this operating instructions manual, the national installation standards as well as the valid safety regulations and accident prevention rules must be observed by the user.

For safety and warranty reasons, any invasive work on the device beyond that described in the operating instructions manual may be carried out only by personnel authorised by the manufacturer. Arbitrary conversions or modifications are explicitly forbidden. For safety reasons, only the accessory specified by the manufacturer must be used.

To avoid any danger, the safety approval markings and safety tips on the device must also be observed.

The low transmitting power of the radar sensor is far below the internationally approved limits. No health impairments are to be expected with intended use. The band range of the transmission frequency can be found in chapter "*Technical data*".

2.5 EU conformity

The device fulfils the legal requirements of the applicable EU directives. By affixing the CE marking, we confirm the conformity of the instrument with these directives.

The EU conformity declaration can be found on our homepage.

2.6 NAMUR recommendations

NAMUR is the automation technology user association in the process industry in Germany. The published NAMUR recommendations are accepted as the standard in field instrumentation.

The device fulfils the requirements of the following NAMUR recommendations:

- NE 43 – Signal level for fault information from measuring transducers
- NE 53 – Compatibility of field devices and display/adjustment components
- NE 107 – Self-monitoring and diagnosis of field devices

For further information see www.namur.de.

2.7 Radio license for Europe

The instrument was tested according to the latest issue of the following harmonized standards:

- EN 302372 - Tank Level Probing Radar
- EN 302729 - Level Probing Radar

It is hence approved for use inside and outside closed vessels in countries of the EU.

Use is also approved in EFTA countries, provided the respective standards have been implemented.

For operation inside of closed vessels, points a to f in annex E of EN 302372 must be fulfilled.

For operation outside of closed vessels, the following conditions must be fulfilled:

- The instrument must be stationary mounted and the antenna directed vertically downward
- The instrument may only be used outside closed vessels in the version with G1½ or 1½ NPT thread with integrated horn antenna.
- The mounting location must be at least 4 km away from radio astronomy stations, unless special permission was granted by the responsible national approval authority
- When installed within 4 to 40 km of a radio astronomy station, the instrument must not be mounted higher than 15 m above the ground.

A list of the respective radio astronomy stations can be found in chapter "Appendix" of the operating instructions.

2.8 Radio license for USA

This approval is only valid for USA. Hence the following text is only available in the English language:

This device complies with Part 15 of the FCC Rules. Operation is subject to the following two conditions:

- This device may not cause interference, and
- This device must accept any interference, including interference that may cause undesired operation of the device

This device is approved for unrestricted use only inside closed, stationary vessels made of metal or concrete. From electronics index -.03 the use in containers made of reinforced fiberglass is also permitted.

For operation outside of closed vessels, the following conditions must be fulfilled:

- This device shall be installed and maintained to ensure a vertically downward orientation of the transmit antenna's main beam. Furthermore, the use of any mechanism that does not allow the main beam of the transmitter to be mounted vertically downward is prohibited.
- Operation of the instrument is only permitted with thread G1½ or 1½ NPT with integrated horn antenna.
- This device shall be installed only at fixed locations. The LPR device shall not operate while being moved or while inside a moving container.
- Hand-held applications are prohibited.
- Marketing to residential consumers is prohibited.

Changes or modifications not expressly approved by the manufacturer could void the user's authority to operate this equipment.

2.9 Radio license for Canada

This approval is only valid for Canada. Hence the following texts are only available in the English/French language:

This device complies with Industry Canada's license-exempt RSS standard(s). Operation is subject to the following conditions:

- This device may not cause interference, and
- This device must accept any interference, including interference that may cause undesired operation of the device

This device has been approved for both closed containers and open-air environments with the following limitations:

- Closed Containers: For installations utilizing a tilt during installation: This device is limited to installation in a completely enclosed container made of metal or concrete to prevent RF emissions, which can otherwise interfere with aeronautical navigation, the maximum approved tilt angle is 10°. From electronics index -.03 the use in containers made of reinforced fiberglass is also permitted.

- Open Air Environment: For operation outside of closed vessels, the following condition must be fulfilled: This device shall be installed and maintained to ensure a vertically downward orientation of the transmit antenna's main beam. Furthermore, the use of any mechanism that does not allow the main beam of the transmitter to be mounted vertically downward is prohibited.
- Operation of the instrument outside of closed vessels is only permitted with G1½ or 1½ NPT with integrated horn antenna.
- The installation of the LPR/TLPR device shall be done by trained installers, in strict compliance with the manufacturer's instructions.
- This device shall be installed only at fixed locations. The LPR device shall not operate while being moved or while inside a moving container.
- Hand-held applications are prohibited.
- Marketing to residential consumers is prohibited.
- The use of this device is on a "no-interference, no-protection" basis. That is, the user shall accept operations of high-powered radar in the same frequency band which may interfere with or damage this device.
- However, devices found to interfere with primary licensing operations will be required to be removed at the user's expense.
- The installer/user of this device shall ensure that it is at least 10 km from the Dominion Astrophysical Radio Observatory (DRAO) near Penticton, British Columbia. The coordinates of the DRAO are latitude 49°19'15" N and longitude 119°37'12"W. For devices not meeting this 10 km separation (e.g., those in the Okanagan Valley, British Columbia,) the installer/user must coordinate with, and obtain the written concurrence of, the Director of the DRAO before the equipment can be installed or operated. The Director of the DRAO may be contacted at 250-497-2300 (tel.) or 250-497-2355 (fax). (Alternatively, the Manager, Regulatory Standards, Industry Canada, may be contacted.)

Le présent appareil est conforme aux CNR d'Industrie Canada applicables aux appareils radio exempts de licence. L'exploitation est autorisée aux conditions suivantes :

- L'appareil ne doit pas produire de brouillage; et
- L'utilisateur de l'appareil doit accepter tout brouillage radioélectrique subi, même si le brouillage est susceptible d'en compromettre le fonctionnement.

Cet appareil est homologué pour une utilisation dans les cuves fermées et les environnements ouverts avec les restrictions suivantes :

- Cuves fermées : Pour les installations impliquant une inclinaison lors de l'installation : cet appareil ne doit être installé que dans une cuve totalement fermée en métal ou en béton, pour empêcher les émissions RF susceptibles d'interférer avec la navigation aéronautique. L'angle d'inclinaison maximum autorisé est de 10°. De l'indice électronique -.03, l'utilisation dans des conteneurs fabriqués en fibre de verre est également permise.
- Environnement ouvert : Pour l'utilisation hors des cuves fermées, la condition suivante doit être remplie : L'appareil doit être installé

et entretenu de manière à garantir une orientation verticale vers le bas du faisceau principal de l'antenne émettrice. De plus, l'utilisation de tout mécanisme ne permettant pas l'orientation verticale vers le bas du faisceau principal de l'émetteur est interdite

- Il est uniquement autorisé d'utiliser la version d'appareil avec le filetage G1½ ou 1½ NPT en environnements ouvertes.
- L'installation d'un dispositif LPR ou TLPR doit être effectuée par des installateurs qualifiés, en pleine conformité avec les instructions du fabricant.
- Cet appareil ne doit être installé qu'à des emplacements fixes. L'appareil LPR ne doit pas être utilisé pendant qu'il est en train d'être déplacé ou se trouve dans un conteneur en mouvement.
- Les applications portables sont interdites.
- La vente à des particuliers est interdite.
- Ce dispositif ne peut être exploité qu'en régime de non-brouillage et de non-protection, c'est-à-dire que l'utilisateur doit accepter que des radars de haute puissance de la même bande de fréquences puissent brouiller ce dispositif ou même l'endommager.
- D'autre part, les capteurs de niveau qui perturbent une exploitation autorisée par licence de fonctionnement principal doivent être enlevés aux frais de leur utilisateur.
- La personne qui installe/utilise ce capteur de niveau doit s'assurer qu'il se trouve à au moins 10 km de l'Observatoire fédéral de radioastrophysique (OFR) de Penticton en Colombie-Britannique. Les coordonnées de l'OFR sont : latitude N 49° 19' 15", longitude O 119° 37' 12". La personne qui installe/utilise un dispositif ne pouvant respecter cette distance de 10 km (p. ex. dans la vallée de l'Okanagan [Colombie-Britannique]) doit se concerter avec le directeur de l'OFR afin d'obtenir de sa part une autorisation écrite avant que l'équipement ne puisse être installé ou mis en marche. Le directeur de l'OFR peut être contacté au 250-497-2300 (tél.) ou au 250-497-2355 (fax). (Le Directeur des Normes réglementaires d'Industrie Canada peut également être contacté).

2.10 Installation and operation in the USA and Canada

This information is only valid for USA and Canada. Hence the following text is only available in the English language.

Installations in the US shall comply with the relevant requirements of the National Electrical Code (ANSI/NFPA 70).

Installations in Canada shall comply with the relevant requirements of the Canadian Electrical Code

A Class 2 power supply unit has to be used for the installation in the USA and Canada.

2.11 Safety instructions for Ex areas

For Ex applications, only devices with corresponding Ex approval may be used. Observe the Ex-specific safety instructions. These are an integral part of the operating instructions and are enclosed with every device with Ex approval.

3 Product description

3.1 Configuration

Scope of this operating instructions

This operating instructions manual applies to the following instrument versions:

- Hardware version from 1.0.3
- Software version from 1.3.2

Scope of delivery

The scope of delivery encompasses:

- LBR radar sensor
- Hexagon socket wrench (for instruments with swivel holder)

The further scope of delivery encompasses:

- Documentation
 - Quick setup guide LBR
 - Instructions for optional instrument features
 - Ex-specific "*Safety instructions*" (with Ex versions)
 - If necessary, further certificates



Information:

Optional instrument features are also described in this operating instructions manual. The respective scope of delivery results from the order specification.

Application area

3.2 Principle of operation

The LBR is a radar sensor for continuous level measurement of bulk solids under different process conditions.

It is ideal for level measurement in very high silos, large bunkers and segmented vessels. The very good signal focussing ensures a simple setup and reliable measurement.

The LBR is available with different antenna systems:

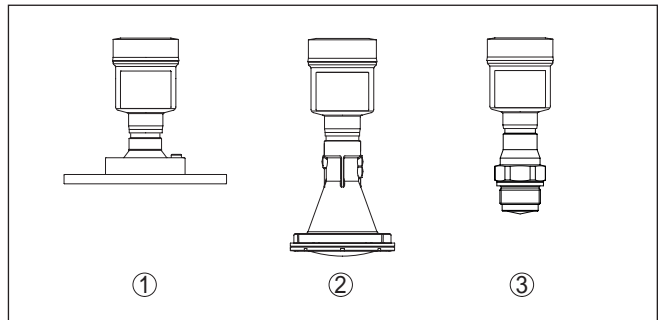


Fig. 1: Antenna systems LBR

- 1 Metal-jacketed lens antenna
- 2 Plastic horn antenna
- 3 Thread with integrated horn antenna

Functional principle The instrument emits a continuous, frequency-modulated radar signal through its antenna. The emitted signal is reflected by the medium and received by the antenna as an echo with modified frequency. The frequency change is proportional to the distance and is converted into the level.

3.3 Packaging, transport and storage

Packaging Your instrument was protected by packaging during transport. Its capacity to handle normal loads during transport is assured by a test based on ISO 4180.

The packaging consists of environment-friendly, recyclable cardboard. For special versions, PE foam or PE foil is also used. Dispose of the packaging material via specialised recycling companies.

Transport Transport must be carried out in due consideration of the notes on the transport packaging. Nonobservance of these instructions can cause damage to the device.

Transport inspection The delivery must be checked for completeness and possible transit damage immediately at receipt. Ascertained transit damage or concealed defects must be appropriately dealt with.

Storage Up to the time of installation, the packages must be left closed and stored according to the orientation and storage markings on the outside.

Unless otherwise indicated, the packages must be stored only under the following conditions:

- Not in the open
- Dry and dust free
- Not exposed to corrosive media
- Protected against solar radiation
- Avoiding mechanical shock and vibration

Storage and transport temperature

- Storage and transport temperature see chapter "*Supplement - Technical data - Ambient conditions*"
- Relative humidity 20 ... 85 %

Lifting and carrying With instrument weights of more than 18 kg (39.68 lbs) suitable and approved equipment must be used for lifting and carrying.

3.4 Accessories

The instructions for the listed accessories can be found in the download area on our homepage.

Display and adjustment module The display and adjustment module is used for measured value indication, adjustment and diagnosis.

The integrated Bluetooth module (optional) enables wireless adjustment via standard adjustment devices.

Electronics module

The electronics module LBR is a replacement part for radar sensors LBR.

4 Mounting

4.1 General instructions

Protection against moisture

Protect your instrument against moisture ingress through the following measures:

- Use a suitable connection cable (see chapter "*Connecting to power supply*")
- Tighten the cable gland or plug connector
- Lead the connection cable downward in front of the cable entry or plug connector

This applies mainly to outdoor installations, in areas where high humidity is expected (e.g. through cleaning processes) and on cooled or heated vessels.



Note:

Make sure that the degree of contamination specified in chapter "*Technical data*" meets the existing ambient conditions.



Note:

Make sure that during installation or maintenance no moisture or dirt can get inside the instrument.

To maintain the housing protection, make sure that the housing lid is closed during operation and locked, if necessary.

Process conditions



Note:

For safety reasons, the instrument must only be operated within the permissible process conditions. You can find detailed information on the process conditions in chapter "*Technical data*" of the operating instructions or on the type label.

Hence make sure before mounting that all parts of the instrument exposed to the process are suitable for the existing process conditions.

These are mainly:

- Active measuring component
- Process fitting
- Process seal

Process conditions in particular are:

- Process pressure
- Process temperature
- Chemical properties of the medium
- Abrasion and mechanical influences

Radio license for USA/Canada

The mounting position and orientation of the sensor must take into account the limitations in chapter "*For your safety*", "*Radio approval for USA*" "*Radio approval for Canada*" of this operating instructions.

4.2 Mounting versions, plastic horn antenna

Mounting strap

The optional mounting strap allows simple mounting of the instrument on a wall, ceiling or boom. Especially in the case of open vessels, this

is a simple and effective way to align the sensor to the surface of the bulk solid material.

The following versions are available:

- Length 300 mm
- Length 170 mm

Mounting strap - Ceiling mounting

The instrument is normally mounted vertically with a bracket on the ceiling.

This allows swivelling the sensor up to 180° for optimal orientation and rotating for optimal connection.

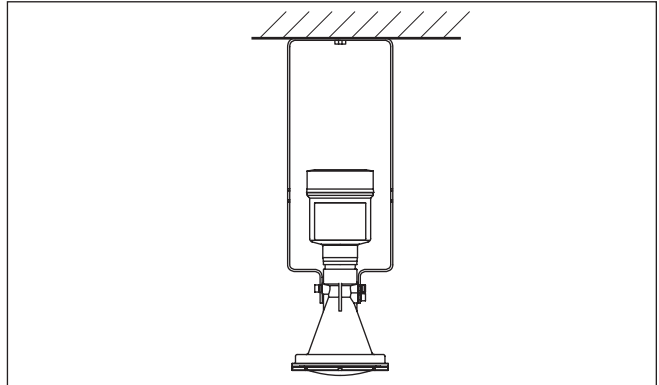


Fig. 2: Ceiling mounting via the mounting strap with length 300 mm

Mounting strap - Wall mounting

As an alternative the strap mounting is carried out horizontally or obliquely.

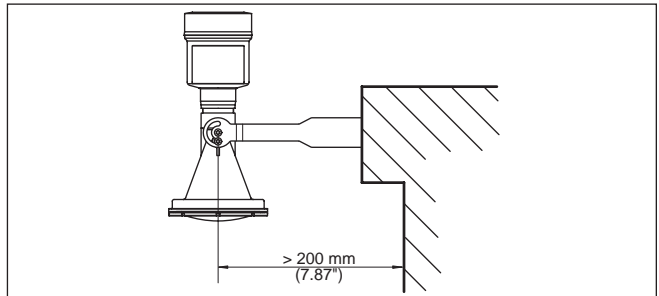


Fig. 3: Wall mounting horizontally via the mounting strap with length 170 mm

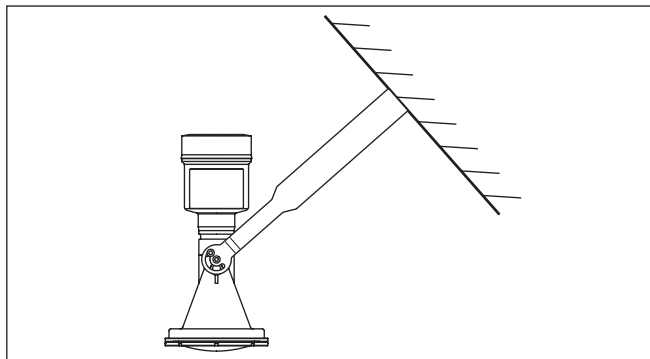


Fig. 4: Wall mounting with inclined wall via the mounting strap with length 300 mm

Flange

Two versions are available for mounting the instrument on a socket:

- Combi compression flange
- Adapter flange

Combi compression flange

The combi compression flange is suitable for different vessel flanges DN 80, ASME 3" and JIS 80. It comes not sealed against the radar sensor and can thus only be used unpressurized. It can be retrofitted on instruments with single chamber housing, retrofitting to a double chamber housing is not possible.

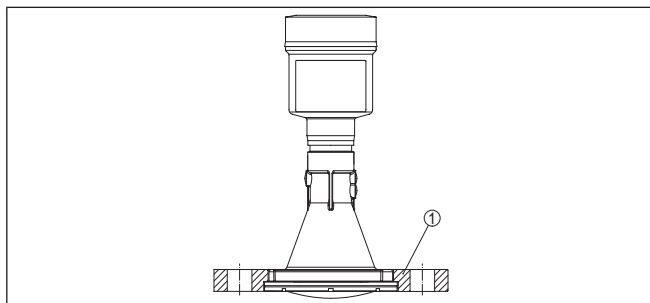


Fig. 5: Combi compression flange

1 Combi compression flange

Adapter flange

The adapter flange is available from DN 100, ASME 4" and JIS 100. It is permanently connected with the radar sensor and sealed.

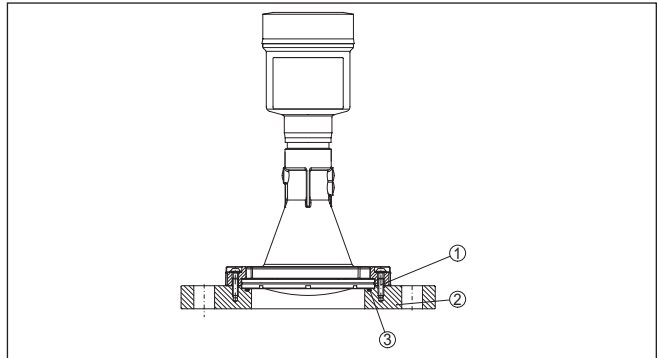


Fig. 6: Adapter flange

- 1 Connection screw
- 2 Adapter flange
- 3 Process seal

4.3 Mounting preparations, mounting strap

The mounting strap is supplied unassembled (optionally) and must be screwed to the sensor before setup with three hexagon socket screws M5 x 10 and spring washers. Max. torque, see chapter "Technical data". Required tools: Allen wrench size 4.

There are two different variants of screwing the strap to the sensor, see following illustration:

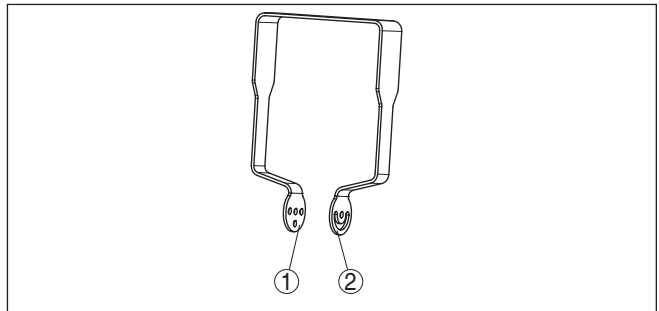


Fig. 7: Mounting strap for screwing to the sensor

- 1 For angle of inclination in steps
- 2 For angle of inclination, infinitely variable

Depending on the selected variant, the sensor can be rotated in the strap:

- Single chamber housing
 - Angle of inclination in three steps 0°, 90° and 180°
 - Angle of inclination 180°, infinitely variable
- Double chamber housing
 - Angle of inclination in two steps 0° and 90°
 - Angle of inclination 90°, infinitely variable

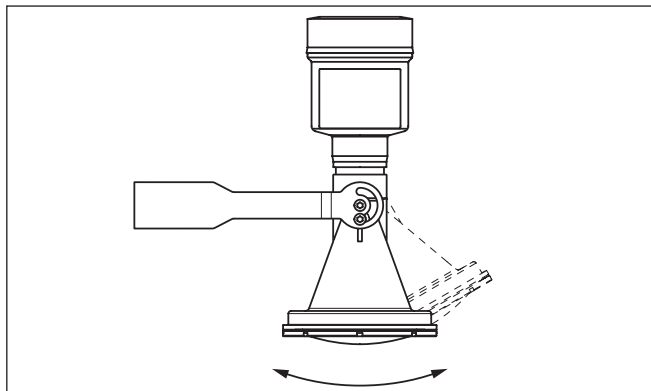


Fig. 8: Adjustment of the angle of inclination

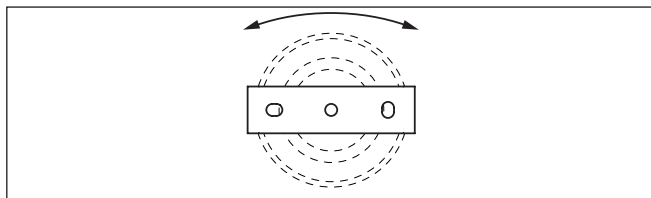


Fig. 9: Turning by fastening in the centre

4.4 Mounting instructions

Polarisation

Radar sensors for level measurement emit electromagnetic waves. The polarization is the direction of the electrical component of these waves.

The polarization direction is marked by a nose on the housing, see following drawing:

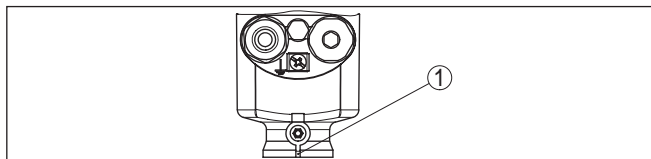


Fig. 10: Position of the polarisation

1 Nose for marking the direction of polarisation



Note:

When the housing is rotated, the direction of polarization changes and hence the influence of the false echo on the measured value. Please keep this in mind when mounting or making changes later.

Installation position

Mount the sensor at least 200 mm (7.874 in) away from the vessel wall.

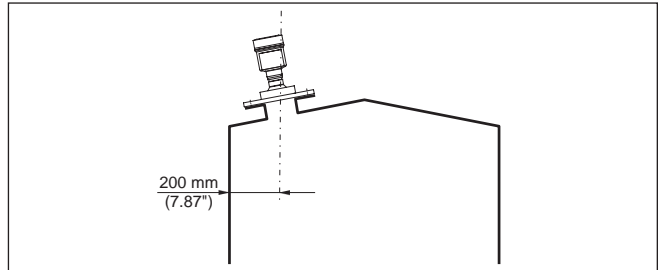


Fig. 11: Mounting the radar sensor on the vessel top

If you cannot maintain this distance, you should carry out a false signal suppression during setup. This applies particularly if buildup on the vessel wall is expected. In such cases, we recommend repeating the false signal suppression at a later date with existing buildup.

Inflowing medium

The instrument should not be mounted too close to the inflowing medium, as the radar signal could be disrupted.

Silo with filling from top

The optimal mounting position is opposite the filling aperture. To avoid heavy soiling, the distance to any filter or dust exhauster should be as large as possible.

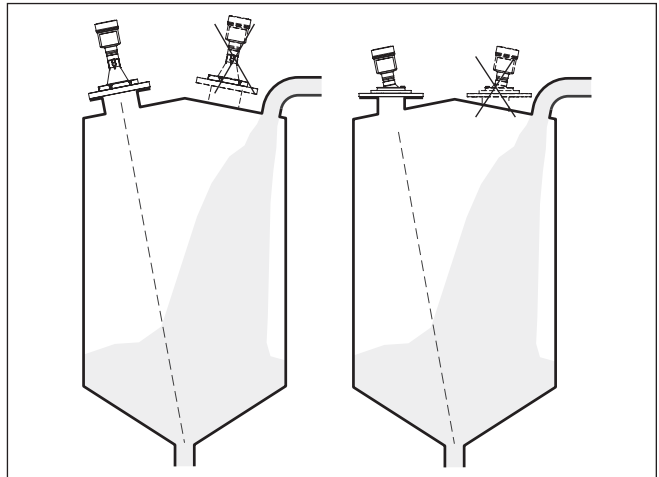


Fig. 12: Mounting of the radar sensor with inflowing medium

Silo with lateral filling

In bulk solids silos with lateral pneumatic filling the instrument should not be mounted above the filling stream, as the radar signal will be disrupted. The optimal mounting position is to the side of the filling aperture. To avoid heavy soiling, the distance to any filter or dust exhauster should be as large as possible.

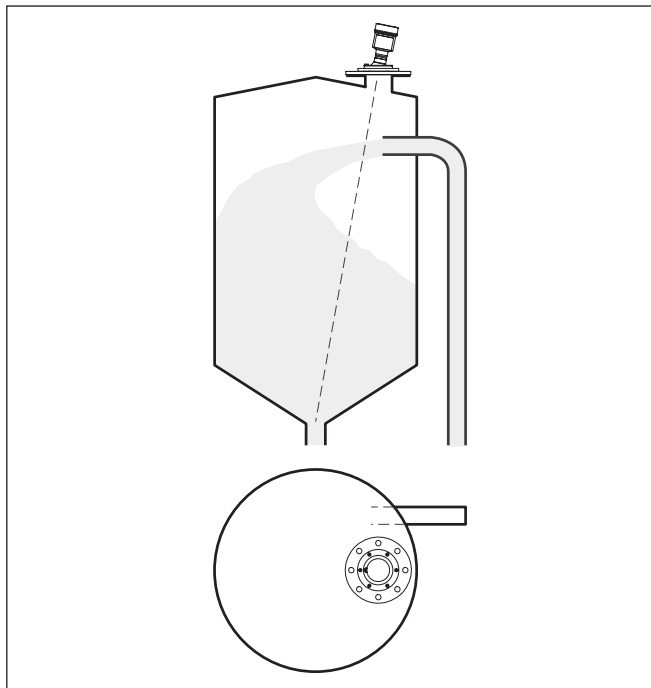


Fig. 13: Mounting of the radar sensor with inflowing medium

Mounting socket

For socket mounting, the socket should be as short as possible and its end rounded. This reduces false reflections from the socket.

With threaded connection, the antenna end should protrude at least 5 mm (0.2 in) out of the socket.

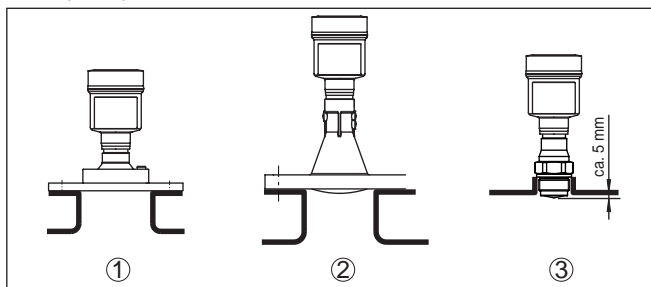


Fig. 14: Recommended socket mounting with different versions of LBR

- 1 Metal-jacketed lens antenna
- 2 Plastic horn antenna
- 3 Thread with integrated horn antenna

If the reflective properties of the medium are good, you can mount LBR on sockets longer than the antenna. The socket end should be smooth and burr-free, if possible also rounded.



Note:

When mounting on longer sockets, we recommend carrying out a false signal suppression (see chapter "*Parameter adjustment*").

You will find recommended values for socket heights in the following illustration or the tables. The values come from typical applications. Deviating from the proposed dimensions, also longer sockets are possible, however the local conditions must be taken into account.

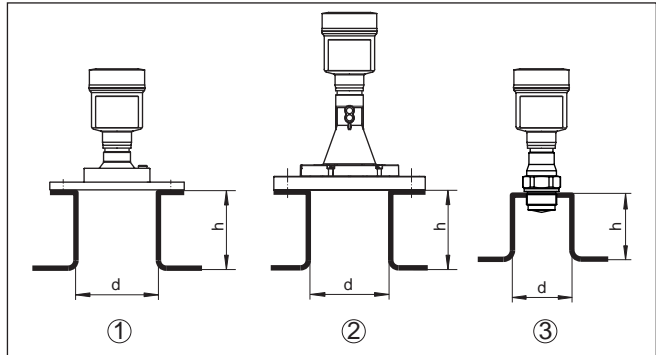


Fig. 15: Socket mounting with deviating socket dimensions with different versions of LBR

- 1 Metal-jacketed lens antenna
- 2 Plastic horn antenna
- 3 Thread with integrated horn antenna

Metal-jacketed lens antenna

Socket diameter d		Socket length h	
100 mm	4"	≤ 500 mm	≤ 19.7 in
150 mm	6"	≤ 800 mm	≤ 31.5 in

Plastic horn antenna

Socket diameter d		Socket length h	
80 mm	3"	≤ 400 mm	≤ 15.8 in
100 mm	4"	≤ 500 mm	≤ 19.7 in
150 mm	6"	≤ 800 mm	≤ 31.5 in

Thread with integrated horn antenna

Socket diameter d		Socket length h	
40 mm	1½"	≤ 150 mm	≤ 5.9 in
50 mm	2"	≤ 200 mm	≤ 7.9 in

Socket diameter d		Socket length h	
80 mm	3"	≤ 300 mm	≤ 11.8 in
100 mm	4"	≤ 400 mm	≤ 15.8 in
150 mm	6"	≤ 600 mm	≤ 23.6 in

Orientation

In a cylindrical silo with conical outlet, the mounting is carried out on a third up to the half of the vessel radius from outside (see following drawing).

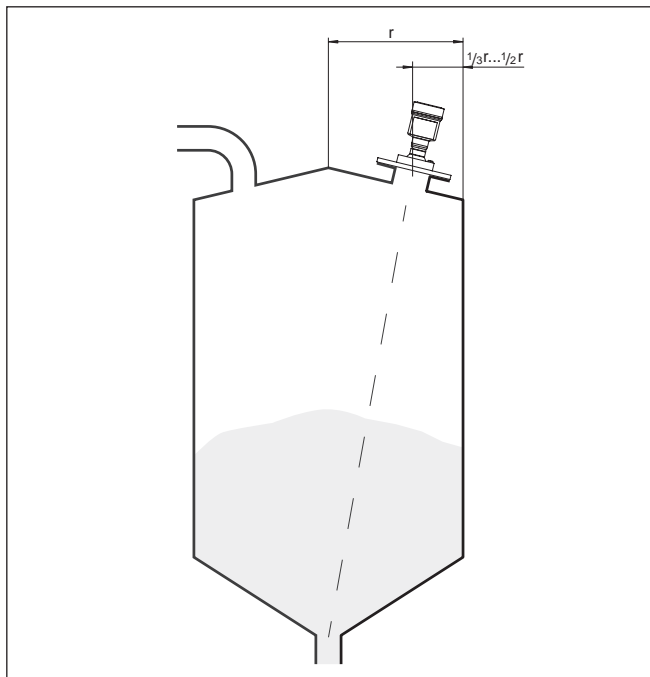


Fig. 16: Mounting position and orientation

Direct the sensor in such a way that the radar signal reaches the lowest vessel level. Hence it is possible to detect the complete vessel volume.

Alternatively, the angle of inclination can be determined using the following drawing and table. It depends on the measuring distance "d" and the distance "a" between vessel centre and mounting position.

Check the alignment with a suitable level or water level.

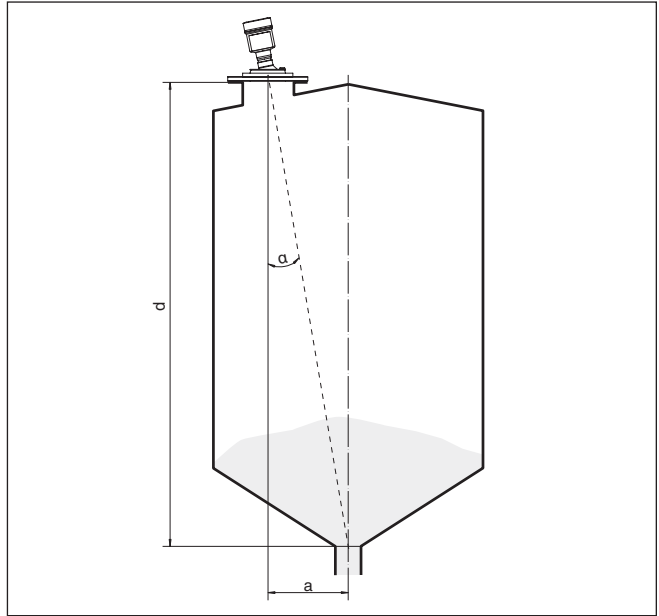


Fig. 17: Determination of the angle of inclination for alignment of LBR

Distance d (m)	2°	4°	6°	8°	10°
2	0.1	0.1	0.2	0.3	0.4
4	0.1	0.3	0.4	0.6	0.7
6	0.2	0.4	0.6	0.8	1.1
8	0.3	0.6	0.8	1.1	1.4
10	0.3	0.7	1.1	1.4	1.8
15	0.5	1	1.6	2.1	2.6
20	0.7	1.4	2.1	2.8	3.5
25	0.9	1.7	2.6	3.5	4.4
30	1	2.1	3.2	4.2	5.3
35	1.2	2.4	3.7	4.9	6.2
40	1.4	2.8	4.2	5.6	7.1
45	1.6	3.1	4.7	6.3	7.9
50	1.7	3.5	5.3	7	8.8
60	2.1	4.2	6.3	8.4	10.5
70	2.4	4.9	7.3	9.7	12.2
80	2.8	5.6	8.4	11.1	13.9
90	3.1	6.3	9.4	12.5	15.6

Distance d (m)	2°	4°	6°	8°	10°
100	3.5	7	10.5	13.9	17.4
110	3.8	7.7	11.5	15.3	19.1
120	4.2	8.4	12.5	16.7	20.8

Example:

In a vessel 20 m high, the installation position of the sensor is 1.4 m from the vessel centre.

The necessary angle of inclination of 4° can be read out from this table.

Proceed as follows to adjust the angle of inclination with the swivelling holder:

1. Loosen the terminal screws of the swivel holder by one turn. Use a hexagon socket wrench, size 5.

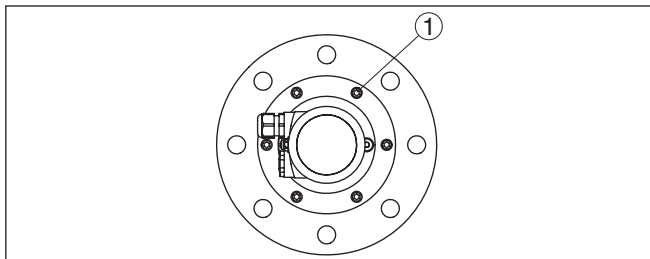


Fig. 18: LBR with swivelling holder

1 Terminal screws (6 pcs.)

2. Align the sensor, check angle of inclination

**Note:**

The max. angle of inclination of the swivelling holder is approx. 10°

3. Re-tighten the terminal screws, max. torque see chapter "Technical data".

Vessel installations

The mounting location of the radar sensor should be a place where no other equipment or fixtures cross the path of the radar signals.

Vessel installations, such as e.g. ladders, limit switches, heating spirals, struts, etc., can cause false echoes and impair the useful echo. Make sure when planning your measuring point that the radar sensor has a "clear view" to the measured product.

In case of existing vessel installations, a false signal suppression should be carried out during setup.

If large vessel installations such as struts or supports cause false echoes, these can be attenuated through supplementary measures. Small, inclined sheet metal baffles above the installations "scatter" the radar signals and prevent direct interfering reflections.

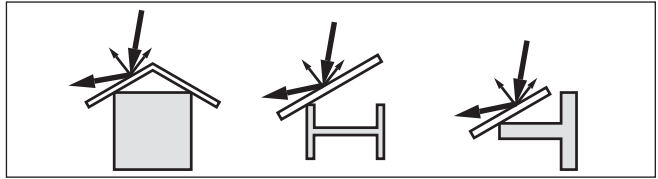


Fig. 19: Cover flat, large-area profiles with deflectors

Material heaps

Large material heaps are best measured with several instruments, which can be mounted on e.g. traverse cranes. For this type of application it is advantageous to orient the sensor perpendicular to the bulk solid surface.

The sensors do not influence each other.



Information:

Keep in mind that for these applications, the sensors are designed for relatively slow level changes. If the sensor is used on a movable boom, the max. measuring rate must be observed (see chapter "Technical data").

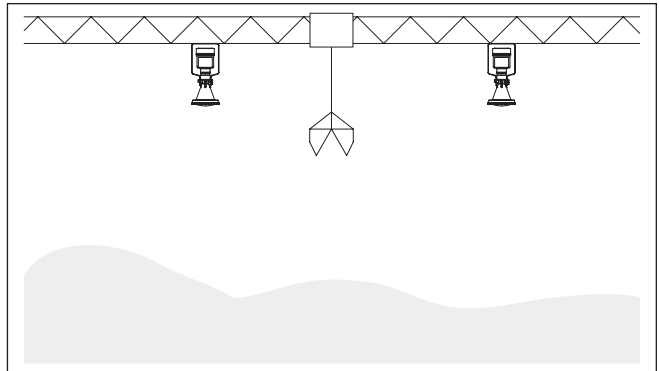


Fig. 20: Radar sensors on traverse crane

Mounting in the vessel insulation

Instruments for a temperature range up to 200° C have a spacer between process fitting and electronics housing. This spacer is used to thermally decouple the electronics from the high process temperatures.



Information:

The spacer may only be incorporated up to a maximum of 50 mm into the vessel insulation. Only then is a reliable temperature decoupling guaranteed.

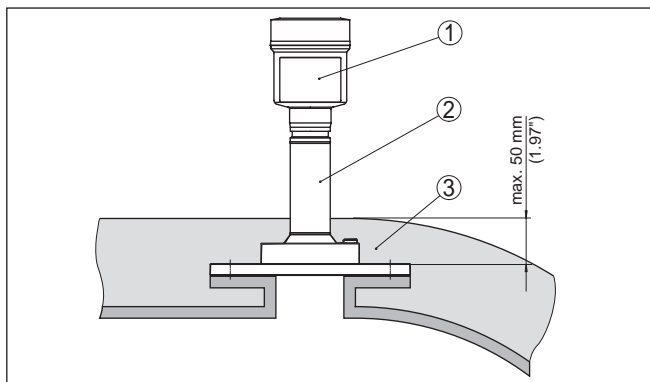


Fig. 21: Mounting the instrument on insulated vessels.

- 1 Electronics housing
- 2 Spacer
- 3 Vessel insulation

Mounting in multiple chamber silo

The walls of multiple-chamber silos are often made of profile material, e.g. profile sheeting, to ensure the required stability. If the radar sensor is mounted very close to a heavily structured vessel wall, substantial interfering reflections can be generated. Thus the sensor should be mounted at the largest possible distance from the separating wall.

The best mounting location is on the outer wall of the silo, with the sensor pointing towards the discharge opening in the silo centre. This can be accomplished, for example, with the mounting strap.

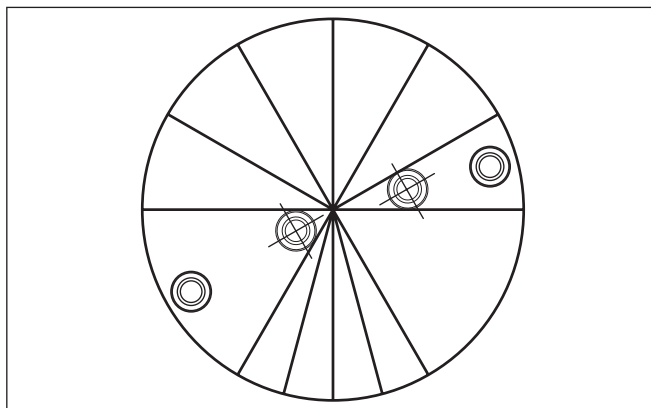


Fig. 22: Installation and orientation in multiple chamber silos

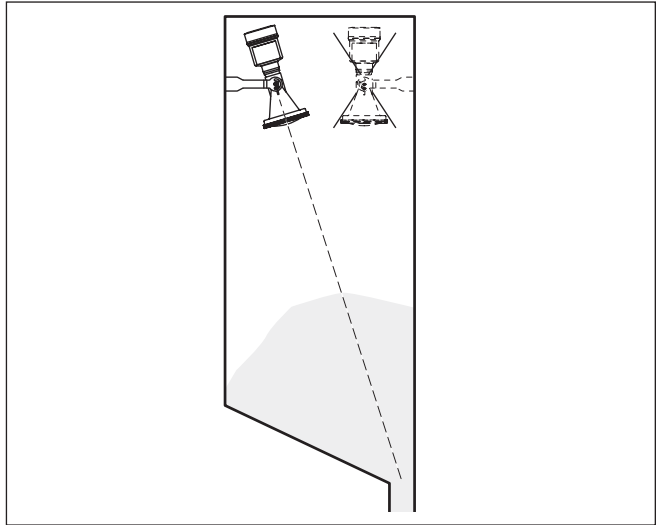


Fig. 23: Installation and orientation in multiple chamber silos

Dust deposits - Rinsing air connection

To avoid heavy buildup and dust on the antenna, the sensor should not be mounted close to the dust exhauster inside the vessel.

To protect the sensor against buildup, particularly in case of strong condensation, air rinsing is recommended.

Metal-jacketed lens antenna

The LBR with metal-jacketed lens antenna is equipped with a rinsing air connection as a standard feature, see following graphics.

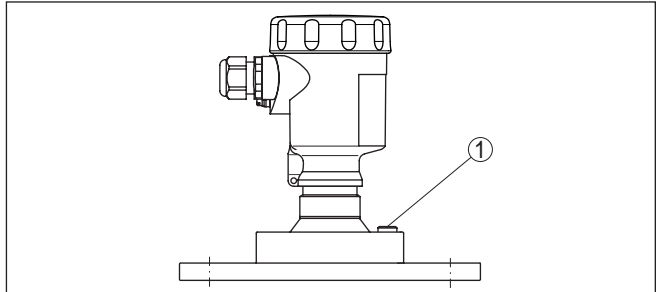


Fig. 24: Rinsing air connection on metal-jacketed lens antenna

Plastic horn antenna

The LBR with plastic horn antenna is optionally available with a rinsing air connection. The mechanical configuration differs according to the flange version, see following graphics.

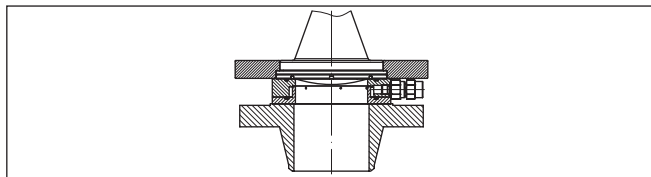


Fig. 25: Rinsing air connection with compression flange

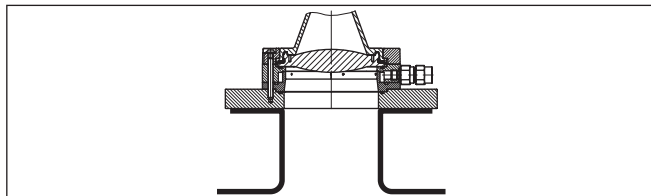


Fig. 26: Rinsing air connection with adapter flange

You can find details on the rinsing air connection in chapter "Technical data".

5 Connecting to power supply

5.1 Preparing the connection

Safety instructions

Always keep in mind the following safety instructions:

- Carry out electrical connection by trained, qualified personnel authorised by the plant operator
- If overvoltage surges are expected, overvoltage arresters should be installed



Warning:

Only connect or disconnect in de-energized state.

Voltage supply

Power supply and current signal are carried on the same two-wire cable. The operating voltage can differ depending on the instrument version.

The data for power supply are specified in chapter "*Technical data*".

Provide a reliable separation between the supply circuit and the mains circuits according to DIN EN 61140 VDE 0140-1.

Power the instrument via an energy-limited circuit acc. to IEC 61010-1, e.g. via Class 2 power supply unit.

Keep in mind the following additional factors that influence the operating voltage:

- Lower output voltage of the power supply unit under nominal load (e.g. with a sensor current of 20.5 mA or 22 mA in case of fault)
- Influence of additional instruments in the circuit (see load values in chapter "*Technical data*")

Connection cable

The instrument is connected with standard two-wire cable without shielding. If electromagnetic interference is expected which is above the test values of EN 61326-1 for industrial areas, shielded cable should be used.

Use cable with round cross section for instruments with housing and cable gland. Use a cable gland suitable for the cable diameter to ensure the seal effect of the cable gland (IP protection rating).

Shielded cable generally necessary in HART multidrop mode.

Cable glands

Metric threads

In the case of instrument housings with metric thread, the cable glands are screwed in at the factory. They are sealed with plastic plugs as transport protection.



Note:

You have to remove these plugs before electrical connection.

NPT thread

In the case of instrument housings with self-sealing NPT threads, it is not possible to have the cable entries screwed in at the factory. The free openings for the cable glands are therefore covered with red dust protection caps as transport protection.

**Note:**

Prior to setup you have to replace these protective caps with approved cable glands or close the openings with suitable blind plugs.

On plastic housings, the NPT cable gland or the Conduit steel tube must be screwed into the threaded insert without grease.

Max. torque for all housings, see chapter "*Technical data*".

Cable screening and grounding

If shielded cable is required, the cable screening must be connected on both ends to ground potential. In the sensor, the cable screening is connected directly to the internal ground terminal. The ground terminal on the outside of the housing must be connected to the ground potential (low impedance).



In Ex systems, the grounding is carried out according to the installation regulations.

In electroplating plants as well as plants for cathodic corrosion protection it must be taken into account that significant potential differences exist. This can lead to unacceptably high currents in the cable screen if it is grounded at both ends.

**Information:**

The metallic parts of the instrument (process fitting, sensor, concentric tube, etc.) are connected with the internal and external ground terminal on the housing. This connection exists either directly via the conductive metallic parts or, in case of instruments with external electronics, via the screen of the special connection cable.

You can find specifications on the potential connections inside the instrument in chapter "*Technical data*".

5.2 Connecting**Connection technology**

The voltage supply and signal output are connected via the spring-loaded terminals in the housing.

Connection to the display and adjustment module or to the interface adapter is carried out via contact pins in the housing.

**Information:**

The terminal block is pluggable and can be removed from the electronics. To do this, lift the terminal block with a small screwdriver and pull it out. When reinserting the terminal block, you should hear it snap in.

Connection procedure

Proceed as follows:

1. Unscrew the housing lid
2. If a display and adjustment module is installed, remove it by turning it slightly to the left
3. Loosen compression nut of the cable gland and remove blind plug
4. Remove approx. 10 cm (4 in) of the cable mantle, strip approx. 1 cm (0.4 in) of insulation from the ends of the individual wires
5. Insert the cable into the sensor through the cable entry



Fig. 27: Connection steps 5 and 6

6. Insert the wire ends into the terminals according to the wiring plan



Information:

Solid cores as well as flexible cores with wire end sleeves are inserted directly into the terminal openings. In case of flexible cores without end sleeves, press the terminal from above with a small screwdriver, the terminal opening is then free. When the screwdriver is released, the terminal closes again.

You can find further information on the max. wire cross-section under "*Technical data - Electromechanical data*".

7. Check the hold of the wires in the terminals by lightly pulling on them
8. Connect the shielding to the internal ground terminal, connect the external ground terminal to potential equalisation
9. Tighten the compression nut of the cable entry gland. The seal ring must completely encircle the cable
10. Reinsert the display and adjustment module, if one was installed
11. Screw the housing lid back on

The electrical connection is finished.

5.3 Wiring plan, single chamber housing



The following illustration applies to the non-Ex as well as to the Ex-ia version.

Electronics and connection compartment

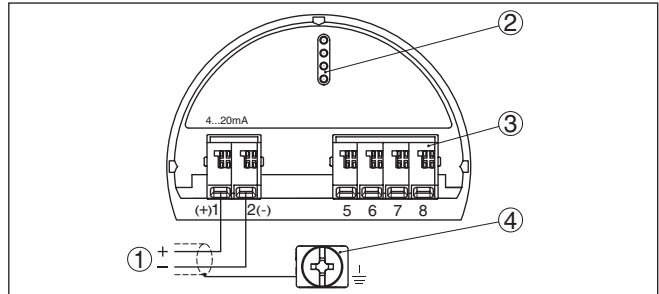


Fig. 28: Electronics and connection compartment - single chamber housing

- 1 Voltage supply, signal output
- 2 For display and adjustment module or interface adapter
- 3 For external display and adjustment unit
- 4 Ground terminal for connection of the cable screening

5.4 Switch-on phase

After connection of the device to power supply, the device first carries out a self-test:

- Internal check of the electronics
- Indication of the status message "F 105 Determine measured value" on the display or PC
- The output signal jumps briefly to the set fault current

Then the actual measured value is output to the signal cable. The value takes into account settings that have already been carried out, e.g. default setting.

6 Set up with the display and adjustment module

6.1 Insert display and adjustment module

The display and adjustment module can be inserted into the sensor and removed again at any time. You can choose any one of four different positions - each displaced by 90°. It is not necessary to interrupt the power supply.

Proceed as follows:

1. Unscrew the housing lid
2. Place the display and adjustment module on the electronics in the desired position and turn it to the right until it snaps in.
3. Screw housing lid with inspection window tightly back on

Disassembly is carried out in reverse order.

The display and adjustment module is powered by the sensor, an additional connection is not necessary.



Fig. 29: Insertion of the display and adjustment module with single chamber housing



Note:

If you intend to retrofit the instrument with a display and adjustment module for continuous measured value indication, a higher lid with an inspection glass is required.

6.2 Adjustment system

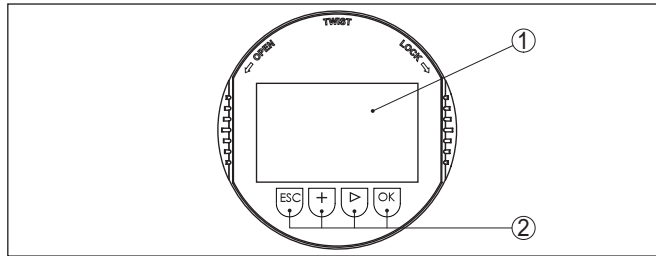


Fig. 30: Display and adjustment elements

- 1 LC display
- 2 Adjustment keys

Key functions

- **[OK]** key:
 - Move to the menu overview
 - Confirm selected menu
 - Edit parameter
 - Save value
- **[>]** key:
 - Change measured value presentation
 - Select list entry
 - Select menu items
 - Select editing position
- **[+]** key:
 - Change value of the parameter
- **[ESC]** key:
 - Interrupt input
 - Jump to next higher menu

Operating system - Keys direct

The instrument is operated via the four keys of the display and adjustment module. The individual menu items are shown on the LC display. You can find the function of the individual keys in the previous illustration.

Adjustment system - keys via magnetic pen

With the Bluetooth version of the display and adjustment module you can also adjust the instrument with the magnetic pen. The pen operates the four keys of the display and adjustment module right through the closed lid (with inspection window) of the sensor housing.

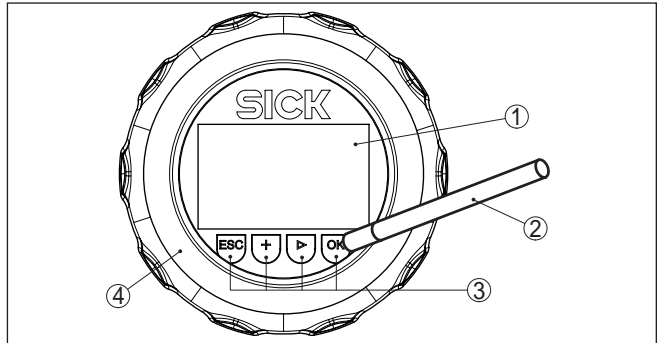


Fig. 31: Display and adjustment elements - with adjustment via magnetic pen

- 1 LC display
- 2 Magnetic pen
- 3 Adjustment keys
- 4 Lid with inspection window

Time functions

When the **[+]** and **[->]** keys are pressed quickly, the edited value, or the cursor, changes one value or position at a time. If the key is pressed longer than 1 s, the value or position changes continuously.

When the **[OK]** and **[ESC]** keys are pressed simultaneously for more than 5 s, the display returns to the main menu. The menu language is then switched over to "English".

Approx. 60 minutes after the last pressing of a key, an automatic reset to measured value indication is triggered. Any values not confirmed with **[OK]** will not be saved.

6.3 Measured value indication - Selection of national language

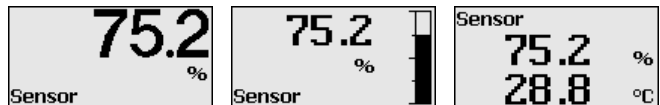
Measured value indication

With the **[->]** key you move between three different indication modes.

In the first view, the selected measured value is displayed in large digits.

In the second view, the selected measured value and a corresponding bargraph presentation are displayed.

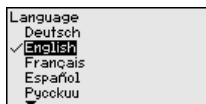
In the third view, the selected measured value as well as a second selectable value, e.g. the temperature of the electronics, are displayed.



During the initial setup of an instrument shipped with factory settings, use the **"OK"** key to get to the menu "National language".

Selection of national language

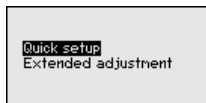
This menu item is used to select the national language for further parameter adjustment. You can change the selection via the menu item "Setup - Display, Menu language".



With the "OK" key you move to the main menu.

6.4 Parameter adjustment - Quick setup

To quickly and easily adapt the sensor to the application, select the menu item "Quick setup" in the start graphic on the display and adjustment module.



Select the individual steps with the [->] key.

After the last step, "Quick setup terminated successfully" is displayed briefly.



Information:

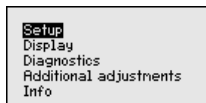
The echo curve of setup is stored automatically during the quick setup.

The return to the measured value indication is carried out through the [->] or [ESC] keys or automatically after 3 s

You can find "Extended adjustment" in the next sub-chapter.

6.5 Parameter adjustment - Extended adjustment

The main menu is divided into five sections with the following functions:



Setup: Settings, e.g., for measurement loop name, units, application, adjustment, signal output

Display: Settings, e.g., for language, measured value display, lighting

Diagnosis: Information, for example, on device status, peak value, simulation, echo curve

Additional adjustments: Date/Time, reset, copy function, scaling, current output, false signal suppression, linearization, HART mode, special parameters

Info: Instrument name, hardware and software version, calibration date, instrument features

In the main menu item "Setup", the individual submenu items should be selected one after the other and provided with the correct parameters to ensure optimum adjustment of the measurement. The procedure is described in the following.

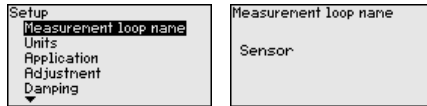
Main menu

Setup - Measurement loop name

Here you can assign a suitable measurement loop name. Push the "OK" key to start the editing. With the "+" key you change the sign and with the "->" key you jump to the next position.

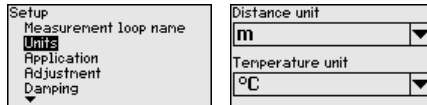
You can enter names with max. 19 characters. The character set comprises:

- Capital letters from A ... Z
- Numbers from 0 ... 9
- Special characters + - / _ blanks



Setup - Units

In this menu item you select the distance unit and the temperature unit.



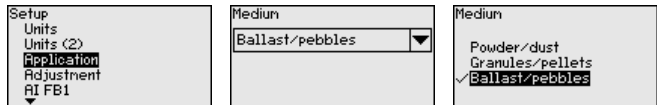
For the distance units you can choose between m, in and ft and for the temperature units °C, °F and K.

Setup - Application

With this menu item, the sensor can be optimally adapted to the application, the installation location or the measurement conditions. It includes selection options for medium, application as well as vessel height/measuring range.

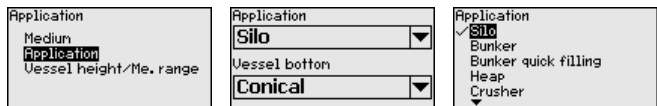
Medium:

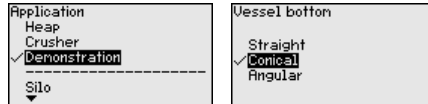
Every medium has a different reflective behaviour. With this selection, the sensor can be perfectly adapted to the medium and measurement reliability, particularly with media with poor reflective properties, is considerably increased.



Application:

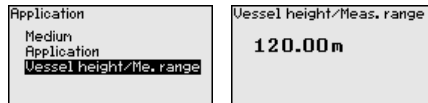
Depending on the type of bulk solids application, material cones and additional echoes from the vessel wall or bottom can become further interfering factors. Through this selection, the sensor is adapted perfectly to the application.





Vessel height/Measuring range:

The LBR is a bulk solids radar sensor for high, slender vessels. It covers a measuring range up to 120 m. This menu item lets you limit the active measuring range in which the instrument searches for level echoes.



Information:

The min. adjustment must be carried out independently of this.

The following features form the basis of the applications:

Silo (slender and high):

- Process/measurement conditions:
 - Filling aperture too close to the sensor
 - System noise in completely empty silo increased
 - Interfering reflections due to weld seams on the vessel
- Properties, sensor:
 - Stable measured values through higher averaging
 - False signal suppression recommended during setup

Bunker (large-volumed)

- Process/measurement conditions:
 - Large distance to the medium
 - Large angles of repose
 - Interfering reflections due to structured vessel walls or internals
- Properties, sensor:
 - Mean averaging
 - High measured value jumps are accepted

Bunker with fast filling:

- Vessel of concrete or metal, also multiple chamber silo:
 - Structured vessel walls
 - Installations present
- Process/measurement conditions:
 - Measured value jumps, e.g. through truck loading
 - Large distance to the medium
 - Large angles of repose
- Properties, sensor:
 - Lower averaging
 - Very high measured value jumps are accepted

Heap:

- Process/measurement conditions:

- Measured value jumps, e.g. by the profile of the heap or traverses
- Large angles of repose
- Measurement near the filling stream
- Sensor mounting on movable conveyor belts
- Properties, sensor:
 - Mean averaging
 - High measured value jumps are accepted

Crusher:

- Process/measurement conditions:
 - Measured value jumps, e.g. through truck loading
 - Fast reaction time
 - Large distance to the medium
 - Interfering reflections due to internal installations or wear and protective devices
- Properties, sensor:
 - Little averaging
 - Max. reaction speed, very high measured value jumps are accepted

Demonstration:

- Adjustment for all applications which are not typically level measurement
 - Instrument demonstration
 - Object recognition/monitoring (additional settings required)
- Properties, sensor:
 - Sensor accepts all measured value changes within the measuring range immediately
 - High sensitivity to interference, because virtually no averaging

Enter the requested parameters via the appropriate keys, save your settings with **[OK]** and jump to the next menu item with the **[ESC]** and the **[->]** key.

Setup - Adjustment

Since the radar sensor is a distance measuring instrument, the distance from the sensor to the medium surface is measured. To indicate the actual level, an allocation of the measured distance to the percentage height must be carried out.

To perform the adjustment, enter the distance with full and empty vessel, see the following example:

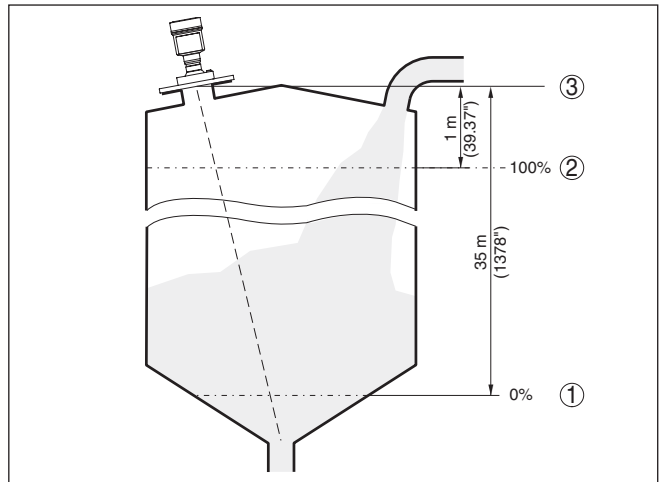


Fig. 32: Parameterisation example, Min./max. adjustment

- 1 Min. level = max. measuring distance
- 2 Max. level = min. measuring distance
- 3 Reference plane

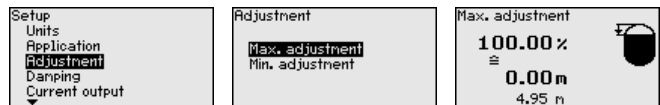
If these values are not known, an adjustment with the distances of e.g. 10 % and 90 % is possible. Starting point for these distance specifications is always the sealing surface of the thread or flange. You can find specifications on the reference plane in chapter "Technical data". The actual level is calculated on the basis of these settings.

The actual product level during this adjustment is not important, because the min./max. adjustment is always carried out without changing the product level. These settings can be made ahead of time without the instrument having to be installed.

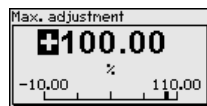
Setup - Max. adjustment

Proceed as follows:

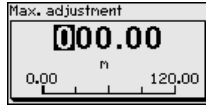
1. Set with **[->]** the menu item Max. adjustment and confirm with **[OK]**.



2. Prepare the percentage value for editing with **[OK]** and set the cursor to the requested position with **[->]**.



3. Set the requested percentage value with **[+]** and save with **[OK]**. The cursor jumps now to the distance value.

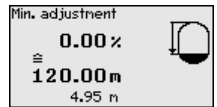
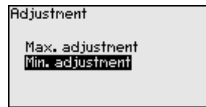
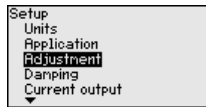


4. Enter the corresponding distance value in meters for the full vessel.
5. Save settings with **[OK]** and move with **[ESC]** and **[->]** to Min. adjustment.

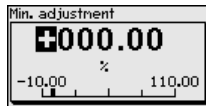
Setup - Min. adjustment

Proceed as follows:

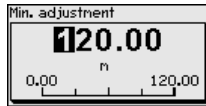
1. Select with **[->]** the menu item "Min. adjustment" and confirm with **[OK]**.



2. Edit the percentage value with **[OK]** and set the cursor to the requested position with **[->]**.



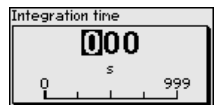
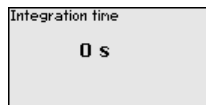
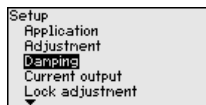
3. Set the requested percentage value with **[+]** and save with **[OK]**. The cursor jumps now to the distance value.



4. Enter the suitable distance value in m for empty vessel (e.g. distance from the sensor to the vessel bottom) corresponding to the percentage value.

Setup - Damping

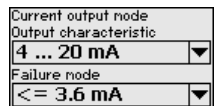
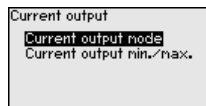
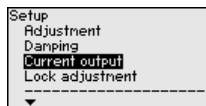
To damp process-dependent measured value fluctuations, set an integration time of 0 ... 999 s in this menu item.



The default setting is a damping of 0 s.

Setup - Current output, mode

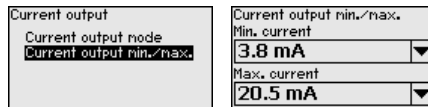
In the menu item "Current output mode" you determine the output characteristics and reaction of the current output in case of fault.



The default setting is output characteristics 4 ... 20 mA, fault mode < 3.6 mA.

Setup - Current output Min./Max.

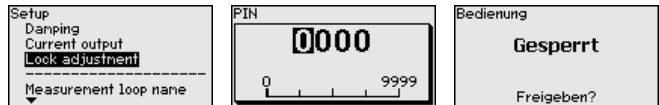
In the menu item "Current output Min./Max.", you determine the reaction of the current output during operation.



The default setting is min. current 3.8 mA and max. current 20.5 mA.

Lock/unlock setup - Adjustment

In the menu item "Lock/unlock adjustment" you safeguard the sensor parameters against unauthorized or unintentional modifications.



With active PIN, only the following adjustment functions are possible without entering a PIN:

- Select menu items and show data
- Read data from the sensor into the display and adjustment module

Releasing the sensor adjustment is also possible in any menu item by entering the PIN.

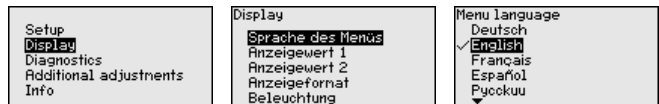


Caution:

With active PIN, adjustment via PACTware/DTM and other systems is also blocked.

Display - Menu language

This menu item enables the setting of the requested national language.



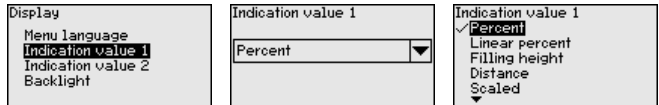
The following languages are available:

- German
- English
- French
- Spanish
- Russian
- Italian
- Dutch
- Portuguese
- Japanese
- Chinese
- Polish
- Czech
- Turkish

In the delivery status, the LBR is set to the ordered national language.

Display - Displayed value 1 and 2

In this menu item you can define the way measured values are indicated on the display.

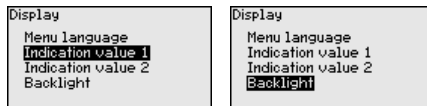


The default setting for the display value is "Percent".

Display - Backlight

The display and adjustment module has a backlight for the display. In this menu item you can switch the lighting on or off. You can find the required operating voltage in chapter "Technical data".

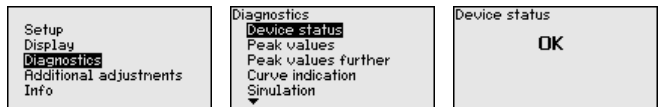
To maintain the function of the device, the lighting is temporarily switched off if the power supply is insufficient.



In delivery status, the lighting is switched on.

Diagnostics - Device status

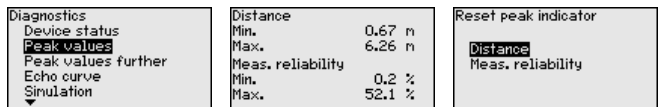
In this menu item, the device status is displayed.



Diagnosis - Peak value

The min. and max. measured value, the measurement reliability as well as the min. and max. electronics temperature are stored in the sensor. The values are displayed in menu item "Peak value" or "Further peak values".

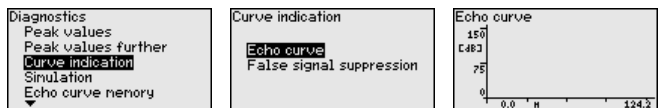
A reset menu is opened with the [OK] key in the respective peak value window:



With the [OK] key in the reset menu, the peak values are reset to the current measured value.

Diagnosis - Curve indication

The "Echo curve" shows the signal strength of the echoes over the measuring range in dB. The signal strength enables an evaluation of the quality of the measurement.



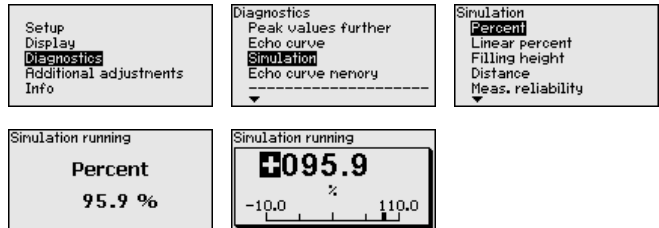
The selected curve is continuously updated. A submenu with zoom functions is opened with the [OK] key:

- "X-Zoom": Zoom function for the meas. distance
- "Y-Zoom": 1, 2, 5 and 10x signal magnification in "dB"

- "Unzoom": Reset the presentation to the nominal measuring range without magnification

Diagnosis - Simulation

In this menu item you can simulate measured values via the current output. This allows the signal path to be tested, e.g. through downstream indicating instruments or the input card of the control system.



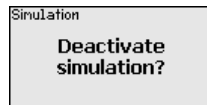
Select the requested simulation variable and set the requested value.



Caution:

During simulation, the simulated value is output as 4 ... 20 mA current value and as digital HART signal. The status message within the context of the asset management function is "Maintenance".

To deactivate the simulation, you have to push the **[ESC]** key and confirm the message



with the **[OK]** key.



Information:

The sensor terminates the simulation automatically after 60 minutes.

Diagnostics - Echo curve memory

The function "Setup" allows the echo curve to be saved at the time of setup.

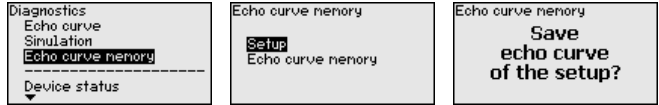


Information:

This is generally recommended, however, for use of the Asset Management functions it is absolutely necessary. Saving should be carried out with a very low level.

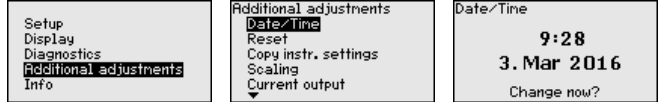
The function "Echo curve memory" allows up to ten individual echo curves to be stored, for example to detect the measurement behaviour of the sensor in different operating conditions.

With the adjustment software PACTware and the PC, the stored echo curves can be displayed with high resolution and used to recognize signal changes over time. In addition, the echo curve saved during setup can also be displayed in the echo curve window and compared with the current echo curve.



Additional settings - Date/Time

In this menu item, the internal clock of the sensor is set to the requested time and time format. At the time of shipment from factory, the instrument is set to CET (Central European Time).

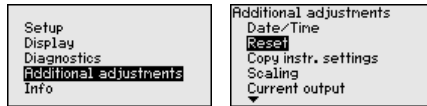


Additional settings - Reset

During a reset, the parameter settings carried out by the user are reset to the default values (see below table).

Proceed as follows:

1. Select with [->] under "Additional adjustments" the menu item "Reset" and confirm with [OK].



2. Confirm with [OK] and select the requested reset function with [->]



3. Confirm with [OK], for approx. 5 s the message "Resetting" is displayed, then the selection window appears.



Caution:

For the duration of the reset, the set trouble signal is output via the current output. Within the context of the asset management function, the message "Maintenance" is output.

The following reset functions are available:

Delivery status: Restores the parameter settings at the time of shipment from the factory, incl. the order-specific settings. Any created false signal suppression, user-programmable linearization curve as well as measured value and echo curve memory is deleted. The event and parameter modification memories remain unaffected.

Basic settings: Resets the parameter settings, incl. special parameters, to the default values of the respective instrument. Any stored false signal suppression or user-programmable linearisation curve, as

well as the measured value memory, is deleted. Order-related settings are not taken over into the current parameters after this reset.

The following table shows the scope of the reset function and the default values of the instrument:

Menu	Menu item	Default value
Setup	Measurement loop name	Sensor
	Units	Distance in m Temperature in °C
	Application	Medium: Crushed stones/gravel Application: Silo Vessel bottom: Flat Vessel height/Measuring range: 120 m
	Min. adjustment	120 m
	Max. adjustment	0,000 m(d)
	Damping	0.0 s
	Current output mode	Output characteristics: 4 ... 20 mA Fault mode: < 3.6 mA ▸
	Current output - Min./Max.	Min. current: 3.8 mA Max. current: 20.5 mA
	Lock/Unlock adjustment	Released PIN: 0000
Display	Displayed value 1	Filling height
	Displayed value 2	Temperature
	Backlight	Switched off
Additional adjustments	Date/Time	Time format: 24 h
	Scaling size	Volume l
	Scaling format	100.00 lin %, 100 l 0.00 lin %, 0 l
	Current output 1 and 2 size	Lin %
	Current output 1 and 2 adjustment	100.00 %, 100 l 0.00 %, 0 l
	Linearisation	Linear
	HART mode	HART address: 0 Loop current mode: Analogue current output

Additional settings - Copy instrument settings

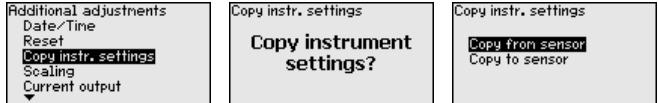
The instrument settings are copied with this function. The following functions are available:

- **Read from sensor:** Read data from sensor and store into the display and adjustment module

- **Write into sensor:** Store data from the display and adjustment module back into the sensor

The following data or settings for adjustment of the display and adjustment module are saved:

- All data of the menu "Setup" and "Display"
- The menu items "Reset, Date/Time" in the menu "Additional settings"
- The user-programmable linearization curve



The copied data are permanently saved in an EEPROM memory in the display and adjustment module and remain there even in case of power failure. From there, they can be written into one or more sensors or kept as backup for a possible electronics exchange.

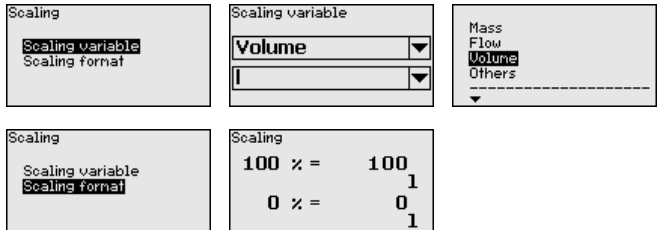


Note:

Before the data are saved in the sensor, a safety check is carried out to determine if the data match the sensor. In the process the sensor type of the source data as well as the target sensor are displayed. If the data do not match, a fault message is outputted or the function is blocked. The data are saved only after release.

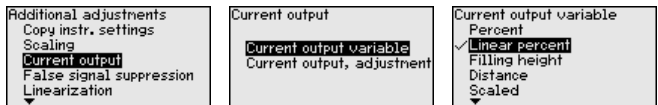
Additional settings - Scaling

In the menu item "Scaling" you define the scaling variable and the scaling format for the indication of the level measured value for 0 % and 100 % on the display, for example as volume in l.



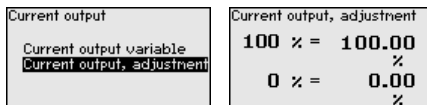
Additional settings - Current output (size)

In menu item "Current output, variable" you specify which measured variable the current output refers to.



Additional settings - Current output (adjustment)

In menu item "Current output, adjustment" you can assign a respective measured value to the current output.



Additional settings - False signal suppression

The following circumstances cause interfering reflections and can influence the measurement:

- High mounting sockets
- Vessel internals such as struts
- Agitators
- Buildup or welded joints on vessel walls



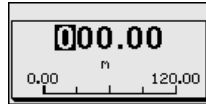
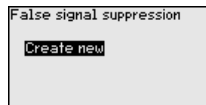
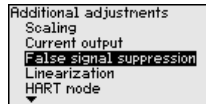
Note:

A false signal suppression detects, marks and saves these false signals to ensure that they are ignored in the level measurement.

This should be done with the lowest possible level so that all potential interfering reflections can be detected.

Proceed as follows:

1. Select with **[->]** the menu item "*False signal suppression*" and confirm with **[OK]**.



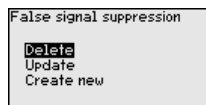
2. Confirm 3-times with **[OK]** and enter the actual distance from the sensor to the product surface.
3. All interfering signals in this range are detected by the sensor and stored after being confirmed with **[OK]**.



Note:

Check the distance to the product surface, because if an incorrect (too large) value is entered, the existing level will be saved as a false signal. The level would then no longer be detectable in this area.

If a false signal suppression has already been saved in the sensor, the following menu window appears when selecting "*False signal suppression*":



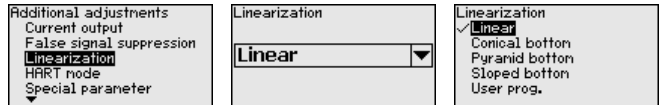
Delete: An already created false signal suppression will be completely deleted. This is useful if the saved false signal suppression no longer matches the metrological conditions in the vessel.

Extend: is used to extend an already created false signal suppression. This is useful if a false signal suppression was carried out with

too high a level and not all false signals could be detected. When selecting "Extend", the distance to the product surface of the created false signal suppression is displayed. This value can now be changed and the false signal suppression can be extended to this range.

Additional settings - Linearization

A linearization is necessary for all vessels in which the vessel volume does not increase linearly with the level. Corresponding linearization curves are preprogrammed for these vessels. They represent the correlation between the level percentage and vessel volume. The linearization applies to the measured value indication and the current output.



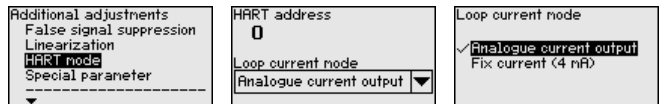
Additional adjustments - HART mode

In this menu item you specify the HART mode and enter the address for multidrop mode.

In the mode "Fixed current output" up to 63 sensors can be operated on one two-wire cable (Multidrop operation). An address between 0 and 63 must be assigned to each sensor.

If you select the function "Analogue current output", a 4 ... 20 mA signal is output in multidrop mode.

In the mode "Fixed current (4 mA)" a fixed 4 mA signal is output independently of the actual level.

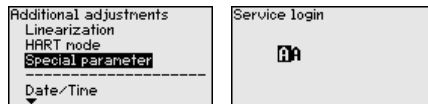


The default setting is "Analogue current output" and the address "00".

Additional settings - Special parameters

In this menu item you gain access to the protected area where you can enter special parameters. In exceptional cases, individual parameters can be modified in order to adapt the sensor to special requirements.

Change the settings of the special parameters only after having contacted our service staff.



Info

In this menu item the following information of the instrument can be read out:

- Instrument name and serial number
- Hardware and software version
- Date of the factory calibration as well as the last change via adjustment instruments
- Sensor characteristics such as approval, process fitting, seal, meas. range etc.

Info Device name Instrument version Factory calibration date Sensor characteristics	Software version 1.1.0 Hardware version 1.0.1	Sensor characteristics Seal / Process temperature FKM (SHS FPM 70CS GLT) and PEEK / -4 0...+130 °C
---	--	---

6.6 Saving the parameterisation data

On paper

We recommend writing down the adjustment data, e.g. in this operating instructions manual, and archiving them afterwards. They are thus available for multiple use or service purposes.

In the display and adjustment module

If the instrument is equipped with a display and adjustment module, the parameter adjustment data can be saved therein. The procedure is described in menu item "*Copy device settings*".

7 Setup with PACTware

7.1 Connect the PC

Connection via HART

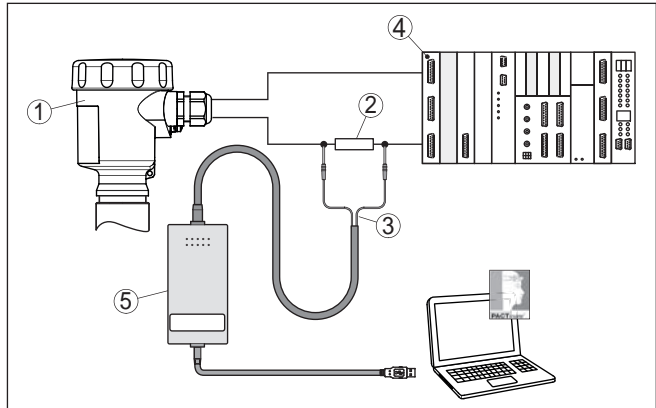


Fig. 33: Connecting the PC via HART to the signal cable

- 1 Sensor
- 2 HART resistance 250 Ω (optional depending on evaluation)
- 3 Adapter cable for HART modem
- 4 Processing system/PLC/Voltage supply
- 5 HART modem



Note:

For power supply units with integrated HART resistance (inner resistance approx. 250 Ω), there is no additional external resistance necessary. Standard Ex separators are often provided with a sufficiently high current limitation resistance. In such cases, the modem can be connected in parallel to the 4 ... 20 mA cable.

7.2 Parameter adjustment

The further setup steps with detailed descriptions can be found in the online help of PACTware and the DTMs.



Note:

Keep in mind that for the setup of device, the current version of the DTM Collection must be used.

The latest DTM Collection and PACTware version can be downloaded free of charge via the Internet.

7.3 Saving the parameterisation data

We recommend documenting or saving the parameterisation data via PACTware. That way the data are available for multiple use or service purposes.

8 Diagnosis, asset management and service

8.1 Maintenance

Maintenance

If the device is used properly, no special maintenance is required in normal operation.

Precaution measures against buildup

In some applications, buildup on the antenna system can influence the measuring result. Depending on the sensor and application, take measures to avoid heavy soiling of the antenna system. If necessary, clean the antenna system in certain intervals.

Cleaning

The cleaning helps that the type label and markings on the instrument are visible.

Take note of the following:

- Use only cleaning agents which do not corrode the housings, type label and seals
- Use only cleaning methods corresponding to the housing protection rating

8.2 Measured value and event memory

The instrument has several memories available for diagnostic purposes. The data remain there even in case of voltage interruption.

Measured value memory

Up to 100,000 measured values can be stored in the sensor in a ring memory. Each entry contains date/time as well as the respective measured value. Storable values are for example:

- Distance
- Filling height
- Percentage value
- Lin. percent
- Scaled
- Current value
- Measurement reliability
- Electronics temperature

When the instrument is shipped, the measured value memory is active and stores distance, measurement reliability and electronics temperature every 3 minutes.

The requested values and recording conditions are set via a PC with PACTware/DTM or the control system with EDD. Data are thus read out and also reset.

Event memory

Up to 500 events are automatically stored with a time stamp in the sensor (non-deletable). Each entry contains date/time, event type, event description and value. Event types are for example:

- Modification of a parameter
- Switch-on and switch-off times
- Status messages (according to NE 107)
- Error messages (according to NE 107)

The data are read out via a PC with PACTware/DTM or the control system with EDD.

Echo curve memory

The echo curves are stored with date and time and the corresponding echo data. The memory is divided into two sections:

Echo curve of the setup: This is used as reference echo curve for the measurement conditions during setup. Changes in the measurement conditions during operation or buildup on the sensor can thus be recognized. The echo curve of the setup is stored via:

- PC with PACTware/DTM
- Control system with EDD
- Display and adjustment module

Further echo curves: Up to 10 echo curves can be stored in a ring buffer in this memory section. Additional echo curves are stored via:

- PC with PACTware/DTM
- Control system with EDD

8.3 Asset Management function

The instrument features self-monitoring and diagnostics according to NE 107 and VDI/VDE 2650. In addition to the status messages in the following tables there are more detailed error messages available under the menu item "*Diagnostics*" via the respective adjustment module.

Status messages

The status messages are divided into the following categories:

- Failure
- Function check
- Out of specification
- Maintenance required

and explained by pictographs:

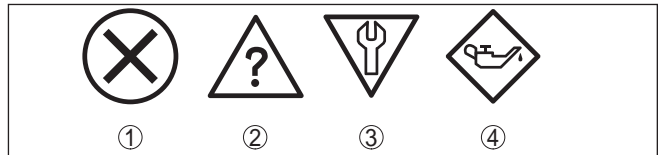


Fig. 34: Pictographs of the status messages

- 1 Failure - red
- 2 Out of specification - yellow
- 3 Function check - orange
- 4 Maintenance required - blue

Failure: Due to a malfunction in the instrument, a fault message is output.

This status message is always active. It cannot be deactivated by the user.

Function check: The instrument is being worked on, the measured value is temporarily invalid (for example during simulation).

This status message is inactive by default.

Out of specification: The measured value is unreliable because an instrument specification was exceeded (e.g. electronics temperature).

This status message is inactive by default.

Maintenance required: Due to external influences, the instrument function is limited. The measurement is affected, but the measured value is still valid. Plan in maintenance for the instrument because a failure is expected in the near future (e.g. due to buildup).

This status message is inactive by default.

Failure

Code Text message	Cause	Rectification	DevSpec State in CMD 48
F013 no measured value available	Sensor does not detect an echo during operation Antenna system dirty or defective	Check or correct installation and/or parameter settings Clean or exchange process component or antenna	Byte 5, Bit 0 of Byte 0 ... 5
F017 Adjustment span too small	Adjustment not within specification	Change adjustment according to the limit values (difference between min. and max. ≥ 10 mm)	Byte 5, Bit 1 of Byte 0 ... 5
F025 Error in the linearization table	Index markers are not continuously rising, for example illogical value pairs	Check linearisation table Delete table/Create new	Byte 5, Bit 2 of Byte 0 ... 5
F036 No operable software	Failed or interrupted software update	Repeat software update Check electronics version Exchanging the electronics Send instrument for repair	Byte 5, Bit 3 of Byte 0 ... 5
F040 Error in the electronics	Hardware defect	Exchanging the electronics Send instrument for repair	Byte 5, Bit 4 of Byte 0 ... 5
F080 General software error	General software error	Disconnect operating voltage briefly	Byte 5, Bit 5 of Byte 0 ... 5
F105 Determine measured value	The instrument is still in the start phase, the measured value could not yet be determined	Wait for the end of the switch-on phase Duration up to approx. 3 minutes depending on the version and parameter settings	Byte 5, Bit 6 of Byte 0 ... 5
F113 Communication error	EMC interference	Remove EMC influences	Byte 4, Bit 4 of Byte 0 ... 5
F125 Impermissible electronics temperature	Temperature of the electronics in the non-specified range	Check ambient temperature Insulate electronics Use instrument with higher temperature range	Byte 5, Bit 7 of Byte 0 ... 5
F260 Error in the calibration	Error in the calibration carried out in the factory Error in the EEPROM	Exchanging the electronics Send instrument for repair	Byte 4, Bit 0 of Byte 0 ... 5

Code Text message	Cause	Rectification	DevSpec State in CMD 48
F261 Error in the instrument settings	Error during setup False signal suppression faulty Error when carrying out a reset	Repeat setup Carry out a reset	Byte 4, Bit 1 of Byte 0 ... 5
F264 Installation/Setup error	Adjustment not within the vessel height/measuring range Max. measuring range of the instrument not sufficient	Check or correct installation and/or parameter settings Use an instrument with bigger measuring range	Byte 4, Bit 2 of Byte 0 ... 5
F265 Measurement function disturbed	Sensor no longer carries out a measurement Operating voltage too low	Check operating voltage Carry out a reset Disconnect operating voltage briefly	Byte 4, Bit 3 of Byte 0 ... 5

Function check

Code Text message	Cause	Rectification	DevSpec State in CMD 48
C700 Simulation active	A simulation is active	Finish simulation Wait for the automatic end after 60 mins.	"Simulation Active" in "Standardized Status 0"

Out of specification

Code Text message	Cause	Rectification	DevSpec State in CMD 48
S600 Impermissible electronics temperature	Temperature of the electronics in the non-specified range	Check ambient temperature Insulate electronics	Byte 23, Bit 0 of Byte 14 ... 24
S601 Overfilling	Danger of vessel overfilling	Make sure that there is no further filling Check level in the vessel	Byte 23, Bit 1 of Byte 14 ... 24

Maintenance

Code Text message	Cause	Rectification	DevSpec State in CMD 48
M500 Error during the reset "delivery status"	The data could not be restored during the reset to delivery status	Repeat reset Load XML file with sensor data into the sensor	Byte 24, Bit 0 of Byte 14 ... 24
M501 Error in the non-active linearisation table	Hardware error EEPROM	Exchanging the electronics Send instrument for repair	Byte 24, Bit 1 of Byte 14 ... 24
M502 Error in the event memory	Hardware error EEPROM	Exchanging the electronics Send instrument for repair	Byte 24, Bit 2 of Byte 14 ... 24

Code Text message	Cause	Rectification	DevSpec State in CMD 48
M503 Measurement reliability too low	The echo/noise ratio is too small for reliable measurement Antenna dirty or defective	Check installation and process conditions Change polarisation direction Use instrument with higher sensitivity Clean the antenna	Byte 24, Bit 3 of Byte 14 ... 24
M504 Error at a device interface	Hardware defect	Check connections Exchanging the electronics Send instrument for repair	Byte 24, Bit 4 of Byte 14 ... 24
M505 No echo available	Sensor does not detect an echo during operation Antenna dirty or defective	Clean the antenna Use a more suitable antenna/sensor Remove possible false echoes Optimize sensor position and orientation	Byte 24, Bit 5 of Byte 14 ... 24
M506 Installation/Setup error	Error during setup	Check or correct installation and/or parameter settings	Byte 24, Bit 6 of Byte 14 ... 24
M507 Error in the instrument settings	Error during setup Error when carrying out a reset False signal suppression faulty	Carry out reset and repeat setup	Byte 24, Bit 7 of Byte 14 ... 24

8.4 Rectify faults

Reaction when malfunction occurs

The operator of the system is responsible for taking suitable measures to rectify faults.

Fault rectification

The first measures are:

- Evaluation of fault messages
- Checking the output signal
- Treatment of measurement errors

Further comprehensive diagnostics options are available with a PC/notebook with PACTware and the suitable DTM. In many cases, the reasons can be determined in this way and faults rectified.

4 ... 20 mA signal

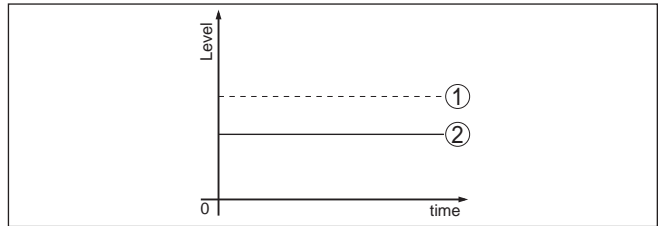
Connect a multimeter in the suitable measuring range according to the wiring plan. The following table describes possible errors in the current signal and helps to eliminate them:

Error	Cause	Rectification
4 ... 20 mA signal not stable	Fluctuating measured value	Set damping

Error	Cause	Rectification
4 ... 20 mA signal missing	Electrical connection faulty	Check connection, correct, if necessary
	Voltage supply missing	Check cables for breaks; repair if necessary
	Operating voltage too low, load resistance too high	Check, adapt if necessary
Current signal greater than 22 mA, less than 3.6 mA	Sensor electronics defective	Replace device or send in for repair depending on device version

The tables below give typical examples of application-related measurement errors.

The images in column "Error description" show the actual level as a dashed line and the output level as a solid line.



- 1 Real level
- 2 Level displayed by the sensor

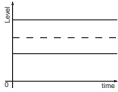
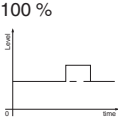


Note:

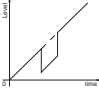
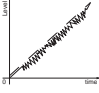
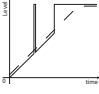
If the output level is constant, the cause could also be the fault setting of the current output to "Hold value".

If the level is too low, the reason could be a line resistance that is too high


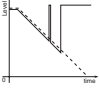
Measurement error with constant level

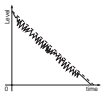
Fault description	Cause	Rectification
Measured value shows a too low or too high level 	Min./max. adjustment not correct	Adapt min./max. adjustment
	Incorrect linearisation curve	Adapt linearisation curve
Measured value jumps towards 100 % 	Due to the process, the amplitude of the product echo decreases A false signal suppression was not carried out	Carry out a false signal suppression
	Amplitude or position of a false signal has changed (e.g. condensation, buildup); false signal suppression no longer matches actual conditions	Determine the reason for the changed false signals, carry out false signal suppression, e.g. with condensation

Measurement error during filling

Fault description	Cause	Rectification
Measured value jumps towards 0 % during filling 	Amplitude of a multiple echo (vessel top - product surface) is larger than the level echo	Check parameter "Application", especially vessel top, type of medium, dished bottom, high dielectric constant, and adapt if necessary.
	The level echo cannot be distinguished from the false signal at a false signal position (jumps to multiple echo)	Remove/reduce false signal: minimize interfering installations by changing the polarization direction Chose a more suitable installation position
	Transverse reflection from an extraction funnel, amplitude of the transverse reflection larger than the level echo	Direct sensor to the opposite funnel wall, avoid crossing with the filling stream.
Measured value fluctuates around 10 ... 20 % 	Various echoes from an uneven medium surface, e.g. a material cone	Check parameter "Material Type" and adapt, if necessary Optimize installation position and sensor orientation
	Reflections from the medium surface via the vessel wall (deflection)	Select a more suitable installation position, optimize sensor orientation, e.g. with a swivelling holder
Measured value jumps sporadically to 100 % during filling 	Changing condensation or contamination on the antenna	Carry out a false signal suppression or increase false signal suppression with condensation/contamination in the close range by editing. With bulk solids use radar sensor with purging air connection or flexible antenna cover.

Measurement error during emptying

Fault description	Cause	Rectification
Measured value remains unchanged in the close range during emptying 	False signal larger than the level echo Level echo too small	Eliminate false signals in the close range. Check: Antenna must protrude out of the socket. Remove contamination on the antenna. Minimize interfering installations in the close range by changing the polarization direction. After eliminating the false signals, the false signal suppression must be deleted. Carry out a new false signal suppression.
		Measured value jumps sporadically towards 100 % during emptying 

Fault description	Cause	Rectification
Measured value fluctuates around 10 ... 20 % 	Various echoes from an uneven medium surface, e.g. an extraction funnel Reflections from the medium surface via the vessel wall (deflection)	Check parameter "Type of medium" and adapt, if necessary. Optimize installation position and sensor orientation.

Reaction after fault rectification

Depending on the reason for the fault and the measures taken, the steps described in chapter "Setup" must be carried out again or must be checked for plausibility and completeness.

8.5 Exchanging the electronics module

If the electronics module is defective, it can be replaced by the user.



In Ex applications, only instruments and electronics modules with appropriate Ex approval may be used.

If there is no electronics module available on site, the electronics module can be ordered through the agency serving you. The electronics modules are adapted to the respective sensor and differ in signal output or voltage supply.

The new electronics module must be loaded with the default settings of the sensor. These are the options:

- In the factory
- Or on site by the user

In both cases, the serial number of the sensor is needed. The serial numbers are stated on the type label of the instrument, on the inside of the housing as well as on the delivery note.

When loading on site, the order data must first be downloaded from the Internet (see operating instructions "Electronics module").



Caution:

All application-specific settings must be entered again. That's why you have to carry out a fresh setup after exchanging the electronics.

If you saved the parameter settings during the first setup of the sensor, you can transfer them to the replacement electronics module. A fresh setup is then not necessary.

8.6 How to proceed if a repair is necessary

If a repair should be necessary, please contact your contact person.

9 Dismount

9.1 Dismounting steps

**Warning:**

Before dismantling, be aware of dangerous process conditions such as e.g. pressure in the vessel or pipeline, high temperatures, corrosive or toxic media etc.

Take note of chapters "*Mounting*" and "*Connecting to voltage supply*" and carry out the listed steps in reverse order.

9.2 Disposal

The instrument consists of materials which can be recycled by specialised recycling companies. We use recyclable materials and have designed the electronics to be easily separable.

WEEE directive

The instrument does not fall in the scope of the EU WEEE directive. Article 2 of this Directive exempts electrical and electronic equipment from this requirement if it is part of another instrument that does not fall in the scope of the Directive. These include stationary industrial plants.

Pass the instrument directly on to a specialised recycling company and do not use the municipal collecting points.

If you have no way to dispose of the old instrument properly, please contact us concerning return and disposal.

10 Supplement

10.1 Technical data

Note for approved instruments

The technical data in the respective safety instructions which are included in delivery are valid for approved instruments (e.g. with Ex approval). These data can differ from the data listed herein, for example regarding the process conditions or the voltage supply.

All approval documents can be downloaded from our homepage.

Materials and weights

316L corresponds to 1.4404 or 1.4435

Materials, wetted parts

Metal-jacketed lens antenna

- Process fitting 316L, Alloy C22 (2.4602), Alloy 400 (2.4360)
- Process seal On site
- Antenna PP, PEEK
- Seal, antenna system FKM (SHS FPM 70C3 GLT), EPDM (COG AP310)

Plastic horn antenna

- Adapter flange PP-GF30 black
- Seal, adapter flange FKM (COG VI500), EPDM (COG AP310)
- Focussing lense PP

Thread with integrated antenna

- Process fitting 316L
- Antenna PEEK
- Seal, antenna system FKM, FFKM
- Process seal Klingersil C-4400

Rinsing connection

- Flushing ring PP-GFK
- O-ring seal, rinsing connection FKM (SHS FPM 70C3 GLT), EPDM (COG AP310)
- Reflux valve 316 Ti
- Sealing, reflux valve FKM (SHS FPM 70C3 GLT), EPDM (COG AP310)

Materials, non-wetted parts

Mounting parts

- Antenna cone PBT-GF 30
- Compression flange PP-GF30 black
- Mounting strap 316L
- Fixing screws, mounting strap 316L
- Fixing screws, adapter flange 304
- Plastic housing Plastic PBT (Polyester)

Housing

- Aluminium die-cast housing Aluminium die-casting AlSi10Mg, powder-coated (Basis: Polyester)

- Stainless steel housing	316L
- Cable gland	PA, stainless steel, brass
- Sealing, cable gland	NBR
- Blind plug, cable gland	PA
- Seal between housing and housing lid	Silicone SI 850 R, NBR silicone-free
- Inspection window housing cover	Polycarbonate (UL-746-C listed), glass ¹⁾
- Ground terminal	316L

Weights

- Instrument (depending on housing, process fitting and antenna)	approx. 2 ... 17.2 kg (4.409 ... 37.92 lbs)
--	---

Torques

Max. torque, version metal-jacketed lens antenna

- Terminal screws for swivelling holder	8 Nm (5.9 lbf ft)
---	-------------------

Max. torque, version plastic horn antenna

- Mounting screws, mounting strap on sensor housing	4 Nm (2.950 lbf ft)
- Flange screws, compression flange DN 80	5 Nm (3.689 lbf ft)
- Terminal screws, adapter flange - antenna	2.5 Nm (1.844 lbf ft)
- Flange screws, adapter flange DN 100	7 Nm (5.163 lbf ft)

Max. torque, thread with integrated horn antenna

- G 1½	200 Nm (147.5 lbf ft)
--------	-----------------------

Max. torque for NPT cable glands and Conduit tubes

- Plastic housing	10 Nm (7.376 lbf ft)
- Aluminium/Stainless steel housing	50 Nm (36.88 lbf ft)

Input variable

Measured variable

The measured quantity is the distance between the end of the sensor antenna and the product surface. The reference plane for the measurement is the lower side of the flange.

¹⁾ Glass with Aluminium and stainless steel precision casting housing

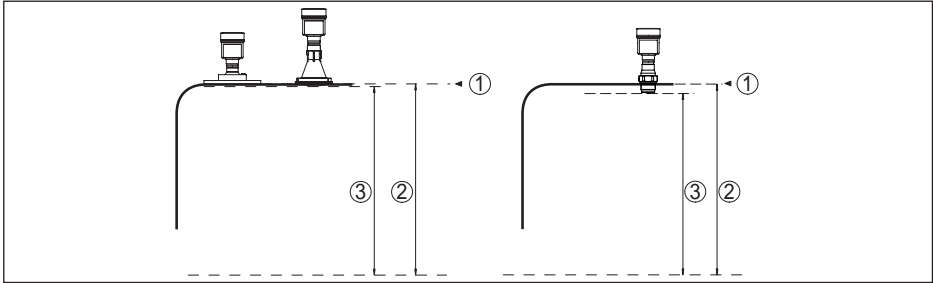


Fig. 35: Data of the input variable, on the left metal-jacketed lens antenna and plastic horn antenna, on the right thread with integrated horn antenna

- 1 Reference plane
 2 Measured variable, max. measuring range
 3 Usable measuring range (recommended min. distance see "Deviation")

Measuring range

- Max. measuring range 120 m (393.7 ft)
- Recommended measuring range for thread version with integrated horn antenna up to 20 m (65.62 ft)

Output variable

Output signal	4 ... 20 mA/HART
Range of the output signal	3.8 ... 20.5 mA/HART (default setting)
Signal resolution	0.3 μ A
Resolution, digital	1 mm (0.039 in)
Fault signal, current output (adjustable)	≤ 3.6 mA, ≥ 21 mA, last valid measured value
Max. output current	22 mA
Starting current	≤ 3.6 mA; ≤ 10 mA for 5 ms after switching on
Load	See load resistance under Power supply
Damping (63 % of the input variable), adjustable	0 ... 999 s
HART output values according to HART 7.0 ²⁾	
– PV (Primary Value)	Lin. percent
– SV (Secondary Value)	Distance
– TV (Third Value)	Measurement reliability
– QV (Fourth Value)	Electronics temperature
Fulfilled HART specification	7.0
Further information on Manufacturer ID, Device ID, Device Revision	See website of HART Communication Foundation

Output variable - Additional current output

Output signal	4 ... 20 mA
---------------	-------------

²⁾ Default values can be assigned individually.

Range of the output signal	3.8 ... 20.5 mA (default setting)
Signal resolution	0.3 μ A
Fault signal, current output (adjustable)	mA-value unchanged 20.5 mA, 22 mA, < 3.6 mA
Max. output current	22 mA
Starting current	\leq 3.6 mA; \leq 10 mA for 5 ms after switching on
Load	see load diagram under Power supply
Damping (63 % of the input variable), adjustable	0 ... 999 s

Deviation (according to DIN EN 60770-1)

Process reference conditions according to DIN EN 61298-1

- Temperature +18 ... +30 °C (+64 ... +86 °F)
- Relative humidity 45 ... 75 %
- Air pressure 860 ... 1060 mbar/86 ... 106 kPa (12.5 ... 15.4 psig)

Installation reference conditions

- Min. distance to internal installations > 200 mm (7.874 in)
- Reflector Flat plate reflector, surface 1 x 1 m (3.281 x 3.281 ft)
- False reflections Biggest false signal, 20 dB smaller than the useful signal

Deviation with liquids \leq 5 mm (meas. distance > 1.0 m/3.280 ft)

Non-repeatability³⁾ \leq 1 mm

Deviation with bulk solids

The values depend to a great extent on the application. Binding specifications are thus not possible.

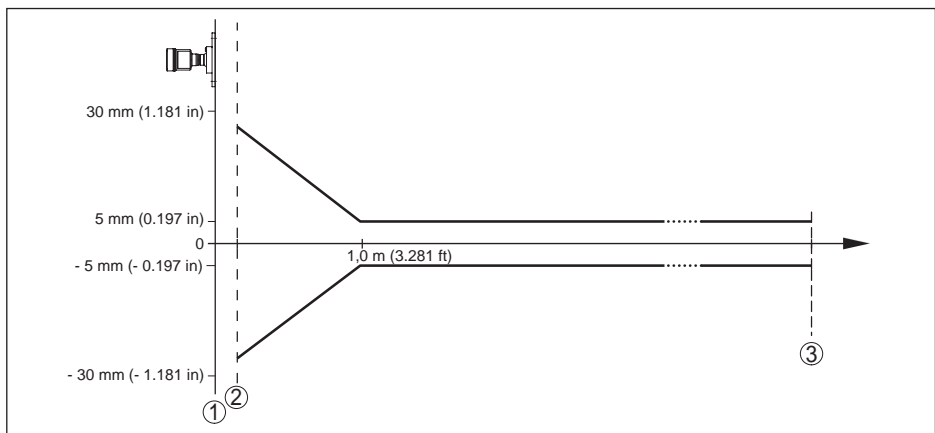


Fig. 36: Deviation under reference conditions

- 1 Reference plane
- 2 Recommended min. distance, specifications see below
- 3 Measuring range end

³⁾ Already included in the meas. deviation

Recommended min. distance for typical bulk solids applications⁴⁾

- Plastic horn antenna, metal-jacketed lens antenna 250 mm (9.843 in)
 - Thread with integrated horn antenna 500 mm (19.69 in)
- Dead zone 150 mm (5.906 in)
-

Variables influencing the deviation

Specifications apply to the digital measured value

Temperature drift - Digital output $\leq 3 \text{ mm}/10 \text{ K}$, max. 10 mm

Specifications apply also to the current output

Temperature drift - Current output $\leq 0.03 \text{ %}/10 \text{ K}$ relating to the 16 mA span or $\leq 0.3 \text{ %}$

Deviation in the current output due to digital/analogue conversion $< 15 \text{ }\mu\text{A}$

Characteristics and performance data

Measuring frequency W-band (within 75 - 85 GHz)

Measuring cycle time approx. 700 ms

Step response time⁵⁾ $\leq 3 \text{ s}$

Beam angle⁶⁾

- Plastic horn antenna 3.5°
- Metal-jacketed lens antenna 4°
- Thread with integrated horn antenna 7°

Emitted HF power (depending on the parameter setting⁷⁾)

- Average spectral transmission power density $-3 \text{ dBm}/\text{MHz EIRP}$
 - Max. spectral transmission power density $+34 \text{ dBm}/50 \text{ MHz EIRP}$
 - Max. power density at a distance of 1 m $< 3 \text{ }\mu\text{W}/\text{cm}^2$
-

Ambient conditions

Ambient, storage and transport temperature $-40 \dots +80 \text{ }^\circ\text{C}$ ($-40 \dots +176 \text{ }^\circ\text{F}$)
ture

Process conditions

For the process conditions, please also note the specifications on the type label. The lowest value always applies.

Process temperature

⁴⁾ Depending of the reflective properties of the measured media.

⁵⁾ Time span (after a sudden measuring distance change of max. 2 m in bulk solids applications) until the output signal has taken on 90 % of the final value for the first time (IEC 61298-2).

⁶⁾ Outside the specified beam angle, the energy level of the radar signal is 50% (-3 dB) less.

⁷⁾ EIRP: Equivalent Isotropic Radiated Power

Antenna lens	Seal	Process temperature (measured on the process fitting)
PEEK	FKM (SHS FPM 70C3 GLT)	-40 ... +130 °C (-40 ... +266 °F)
		-40 ... +200 °C (-40 ... +392 °F)
	EPDM (COG AP302)	-40 ... +130 °C (-40 ... +266 °F)
PP	FKM (SHS FPM 70C3 GLT)	-40 ... +80 °C (-40 ... +176 °F)
	EPDM (COG AP310)	-40 ... +80 °C (-40 ... +176 °F)

Derating, ambient temperature

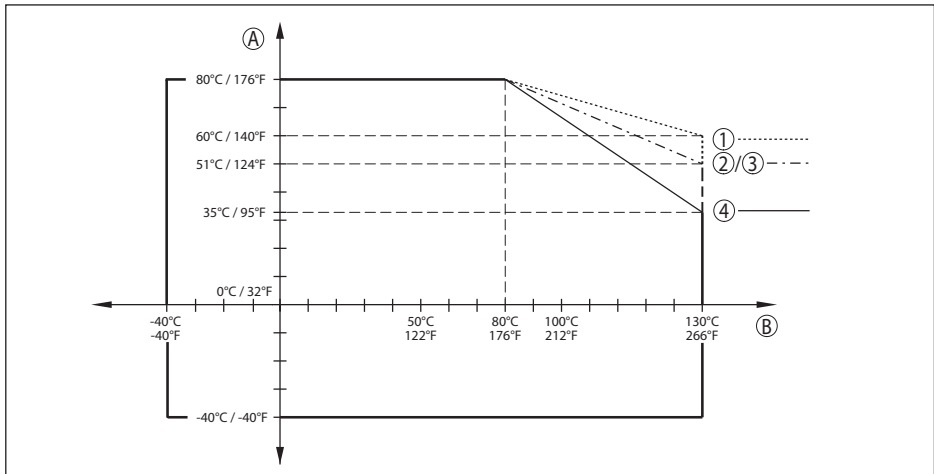


Fig. 37: Derating, ambient temperature, metal-jacketed lens antenna up to +130 °C (+266 °F)

- A Ambient temperature
- B Process temperature
- 1 Aluminium housing
- 2 Plastic housing
- 3 Stainless steel housing (precision casting)
- 4 Stainless steel housing (electropolished)

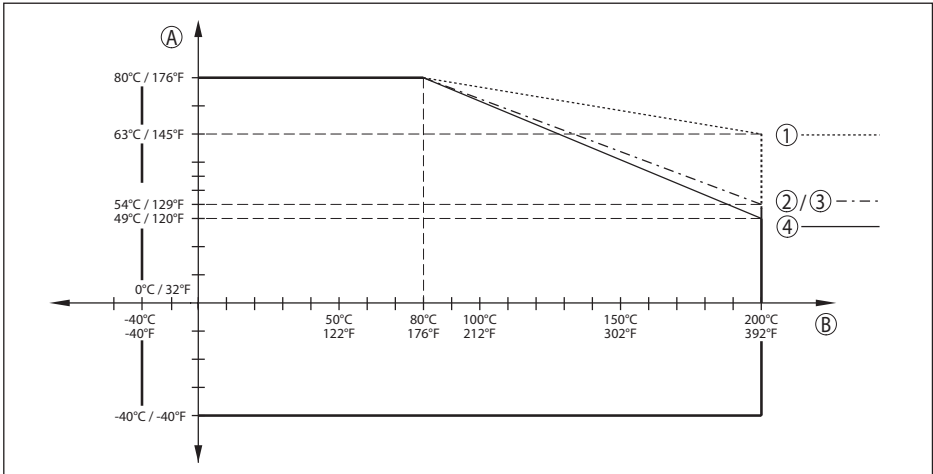


Fig. 38: Derating, ambient temperature, metal-jacketed lens antenna up to +200 °C (+392 °F)

- A Ambient temperature
- B Process temperature
- 1 Aluminium housing
- 2 Plastic housing
- 3 Stainless steel housing (precision casting)
- 4 Stainless steel housing (electropolished)

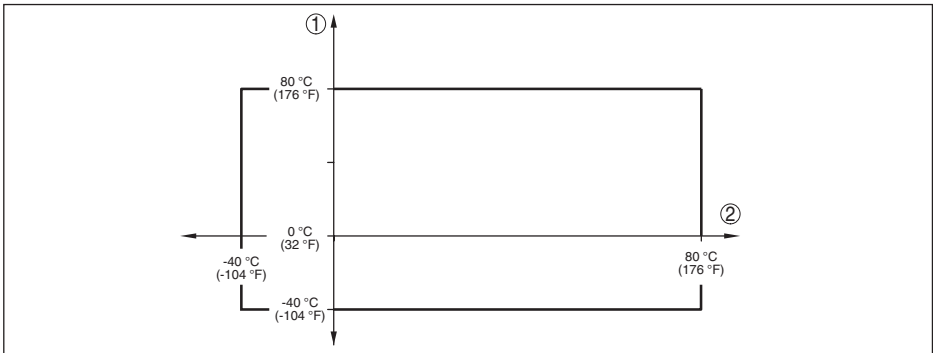


Fig. 39: Derating, ambient temperature, plastic horn antenna

- 1 Ambient temperature
- 2 Process temperature

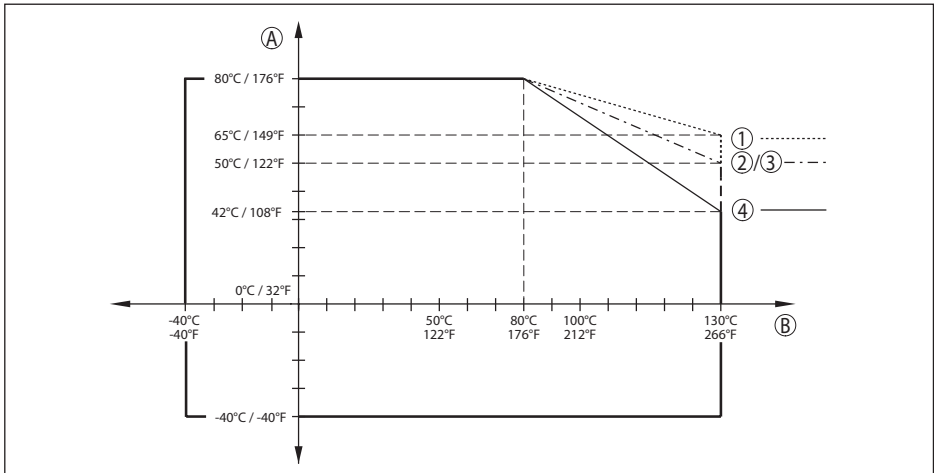


Fig. 40: Derating, ambient temperature, thread G1½ with integrated horn antenna up to +130 °C (+266 °F)

- A Ambient temperature
 B Process temperature
 1 Aluminium housing
 2 Plastic housing
 3 Stainless steel housing (precision casting)
 4 Stainless steel housing (electropolished)

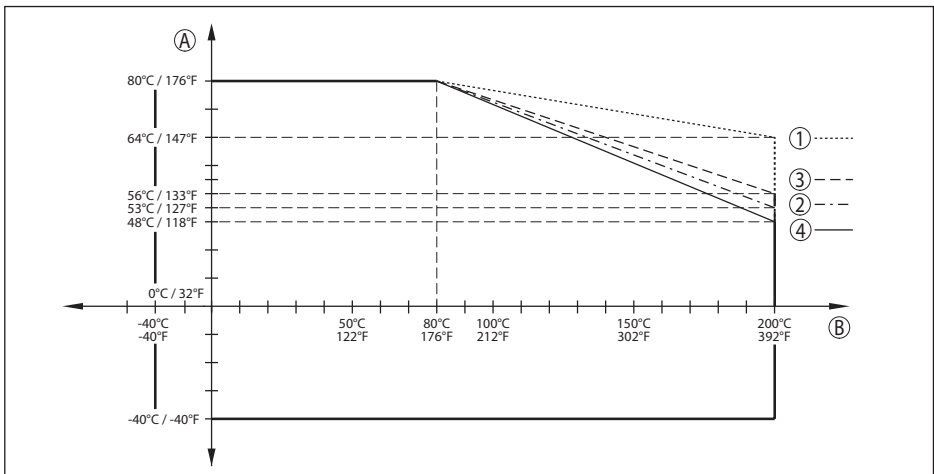


Fig. 41: Derating, ambient temperature, thread G1½ with integrated horn antenna up to +200 °C (+392 °F)

- A Ambient temperature
 B Process temperature
 1 Aluminium housing
 2 Plastic housing
 3 Stainless steel housing (precision casting)
 4 Stainless steel housing (electropolished)

Vessel pressure

- Metal-jacketed lens antenna -1 ... 3 bar (-100 ... 300 kPa/-14.5 ... 43.5 psig)
- Plastic horn antenna -1 ... 2 bar (-100 ... 200 kPa/-14.5 ... 29.1 psig)
- Plastic horn antenna, version with adapter flange from DN 100 PP or PP-GF 30 -1 ... 1 bar (-100 ... 100 kPa/-14.5 ... 14.5 psig)
- Thread with integrated horn antenna -1 ... 20 bar (-100 ... 2000 kPa/-14.5 ... 290.1 psig)

Mechanical stress

Vibration resistance: Metal jacketed lens antenna 4 g at 5 ... 200 Hz according to EN 60068-2-6 (vibration with resonance)

Vibration resistance: Plastic horn antenna

- With adapter flange 2 g at 5 ... 200 Hz according to EN 60068-2-6 (vibration with resonance)
- with mounting strap 1 g at 5 ... 200 Hz according to EN 60068-2-6 (vibration with resonance)

Vibration resistance: thread with integrated horn antenna 4 g at 5 ... 200 Hz according to EN 60068-2-6 (vibration with resonance)

Shock resistance 100 g, 6 ms according to EN 60068-2-27 (mechanical shock)

Data on rinsing air connection

Recommended max. pressure with continuous rinsing 1 bar (14.50 psig)

Max. permissible pressure 6 bar (87.02 psig)

Air quality Filtered

Air volume, depending on pressure

Metal-jacketed lens antenna	Air volume	
	Without reflux valve	With reflux valve
Pressure		
0.2 bar (2.9 psig)	1.7 m ³ /h	-
0.4 bar (5.8 psig)	2.5 m ³ /h	-
0.6 bar (8.7 psig)	2.9 m ³ /h	0.8 m ³ /h
0.8 bar (11.6 psig)	3.3 m ³ /h	1.5 m ³ /h
1 bar (14.5 psig)	3.6 m ³ /h	2 m ³ /h
1.2 bar (17.4 psig)	3.9 m ³ /h	2.3 m ³ /h
1.4 bar (20.3 psig)	4 m ³ /h	2.7 m ³ /h
1.6 bar (23.2 psig)	4.3 m ³ /h	3 m ³ /h
1.8 bar (20.3 psig)	4.5 m ³ /h	3.5 m ³ /h
2 bar (23.2 psig)	4.6 m ³ /h	4 m ³ /h

Plastic horn antenna	Air volume	
	Without reflux valve	With reflux valve
Pressure		
0.2 bar (2.9 psig)	3.3 m ³ /h	-

Plastic horn antenna	Air volume	
	Without reflux valve	With reflux valve
Pressure		
0.4 bar (5.8 psig)	5 m ³ /h	-
0.6 bar (8.7 psig)	6 m ³ /h	1 m ³ /h
0.8 bar (11.6 psig)	-	2.1 m ³ /h
1 bar (14.5 psig)	-	3 m ³ /h
1.2 bar (17.4 psig)	-	3.5 m ³ /h
1.4 bar (20.3 psig)	-	4.2 m ³ /h
1.6 bar (23.2 psig)	-	4.4 m ³ /h
1.8 bar (20.3 psig)	-	4.8 m ³ /h
2 bar (23.2 psig)	-	5.1 m ³ /h

Connection

- Thread G $\frac{1}{8}$
- Seal with metal jacketed lens antenna Threaded plug of 316Ti

Reflux valve (optional, is absolutely necessary for Ex applications)

- Material 316Ti
- Thread G $\frac{1}{8}$
- Seal FKM (SHS FPM 70C3 GLT), EPDM (COG AP310)
- For connection G $\frac{1}{8}$
- Opening pressure 0.5 bar (7.25 psig)
- Nominal pressure stage PN 250

Electromechanical data - version IP66/IP67 and IP66/IP68 (0.2 bar)

Options of the cable entry

- Cable entry M20 x 1.5; $\frac{1}{2}$ NPT
- Cable gland M20 x 1.5; $\frac{1}{2}$ NPT (cable \varnothing see below table)
- Blind plug M20 x 1.5; $\frac{1}{2}$ NPT
- Closing cap $\frac{1}{2}$ NPT

Material cable gland	Material seal insert	Cable diameter				
		4.5 ... 8.5 mm	5 ... 9 mm	6 ... 12 mm	7 ... 12 mm	10 ... 14 mm
PA	NBR	-	●	●	-	●
Brass, nickel-plated	NBR	●	●	●	-	-
Stainless steel	NBR	-	●	●	-	●

Wire cross-section (spring-loaded terminals)

- Massive wire, stranded wire 0.2 ... 2.5 mm² (AWG 24 ... 14)
- Stranded wire with end sleeve 0.2 ... 1.5 mm² (AWG 24 ... 16)

Integrated clock

Date format	Day.Month.Year
Time format	12 h/24 h
Time zone, factory setting	CET
Max. rate deviation	10.5 min/year

Additional output parameter - Electronics temperature

Range	-40 ... +85 °C (-40 ... +185 °F)
Resolution	< 0.1 K
Deviation	±3 K
Output of the temperature values	
– Indication	Via the display and adjustment module
– Output	Via the respective output signal

Voltage supply

Operating voltage U_B	12 ... 35 V DC
Operating voltage U_B with lighting switched on	18 ... 35 V DC
Reverse voltage protection	Integrated
Permissible residual ripple	
– for 12 V < U_B < 18 V	$\leq 0.7 V_{\text{eff}}$ (16 ... 400 Hz)
– for 18 V < U_B < 35 V	$\leq 1 V_{\text{eff}}$ (16 ... 400 Hz)
Load resistor	
– Calculation	$(U_B - U_{\text{min}})/0.022 \text{ A}$
– Example - $U_B = 24 \text{ V DC}$	$(24 \text{ V} - 12 \text{ V})/0.022 \text{ A} = 545 \Omega$

Potential connections and electrical separating measures in the instrument

Electronics	Not non-floating
Reference voltage ⁸⁾	500 V AC
Conductive connection	Between ground terminal and metallic process fitting

Electrical protective measures

Housing material	Version	Protection acc. to IEC 60529	Protection acc. to NEMA
Plastic	Single chamber	IP66/IP67	Type 4X
Aluminium	Single chamber	IP66/IP68 (0.2 bar) IP68 (1 bar)	Type 6P -
Stainless steel (electro-polished)	Single chamber	IP66/IP68 (0.2 bar)	Type 6P
Stainless steel (precision casting)	Single chamber	IP66/IP68 (0.2 bar) IP68 (1 bar)	Type 6P -

⁸⁾ Galvanic separation between electronics and metal housing parts

Connection of the feeding power supply unit	Networks of overvoltage category III
Altitude above sea level	
– by default	up to 2000 m (6562 ft)
– with connected overvoltage protection	up to 5000 m (16404 ft)
Pollution degree (with fulfilled housing protection)	4
Protection rating (IEC 61010-1)	III

10.2 Radio astronomy stations

Certain restrictions on the use of LBR outside closed vessels result from the radio license. You can find these restrictions in chapter "Radio license for Europe". Some of these restrictions have to do with radio astronomy stations. The following table states the geographic positions of radio astronomy stations in Europe:

Country	Name of the Station	Geographic Latitude	Geographic Longitude
Finland	Metsähovi	60°13'04" N	24°23'37" E
France	Plateau de Bure	44°38'01" N	05°54'26" E
Germany	Effelsberg	50°31'32" N	06°53'00" E
Italy	Sardinia	39°29'50" N	09°14'40" E
Spain	Yebes	40°31'27" N	03°05'22" W
	Pico Veleta	37°03'58" N	03°23'34" W
Sweden	Onsala	57°23'45" N	11°55'35" E

10.3 Dimensions

Plastic housing

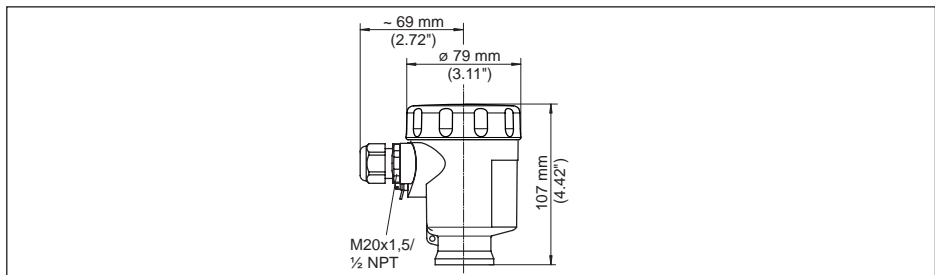


Fig. 42: Housing versions in protection IP66/IP67 (with integrated display and adjustment module the housing is 9 mm/0.35 in higher)

Aluminium housing

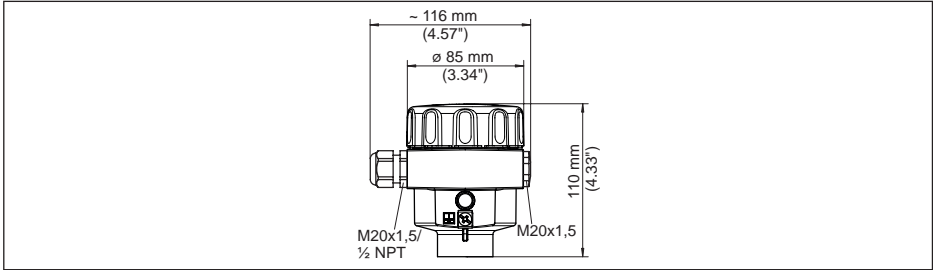


Fig. 43: Housing versions with protection rating IP66/IP68 (0.2 bar), (with integrated display and adjustment module the housing is 18 mm/0.71 in higher)

Stainless steel housing

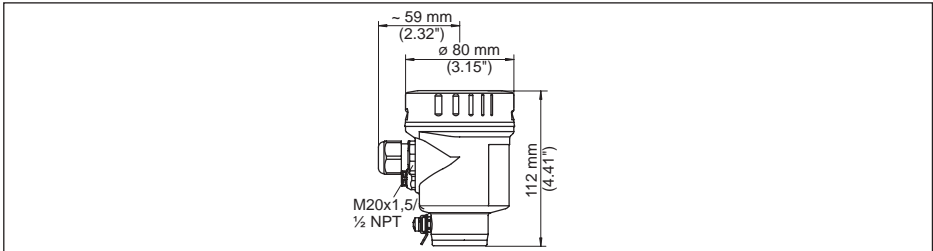


Fig. 44: Housing versions with protection rating IP66/IP68 (0.2 bar), (with integrated display and adjustment module the housing is 18 mm/0.71 in higher)

- 1 Stainless steel single chamber (electropolished)
- 2 Stainless steel single chamber (electropolished) IP69K

LBR, metal-jacketed lens antenna

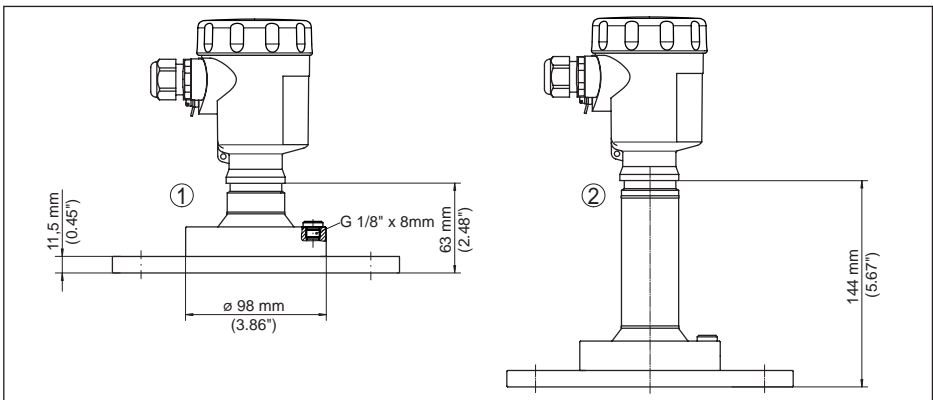


Fig. 45: LBR, metal-jacketed lens antenna (flange thickness acc. to drawing, flange dimensions acc. to DIN, ASME, JIS)

- 1 Version up to 130 °C (266 °F)
- 2 Version up to 200 °C (392 °F)

LBR, metal-jacketed lens antenna with rinsing connection

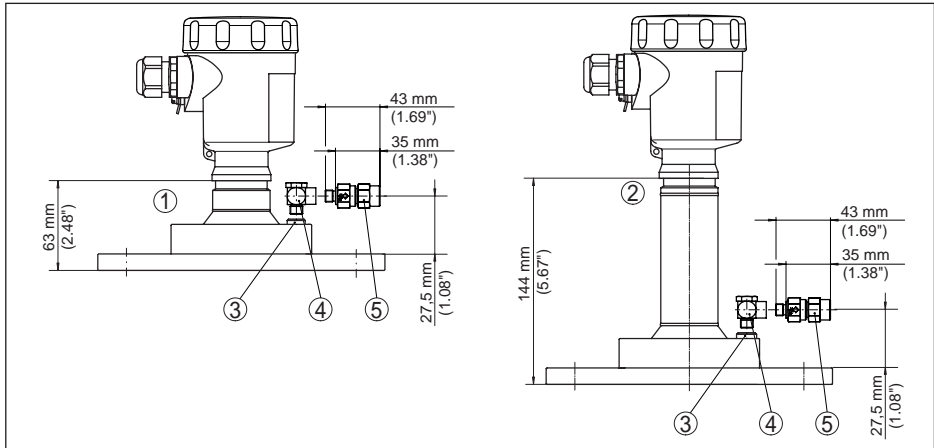


Fig. 46: LBR, metal-jacketed lens antenna with rinsing connection

- 1 Version up to 130 °C (266 °F)
- 2 Version up to 200 °C (392 °F)
- 3 Blind plug
- 4 90° angle joint
- 5 Reflux valve

LBR, metal-jacketed lens antenna with swivelling holder

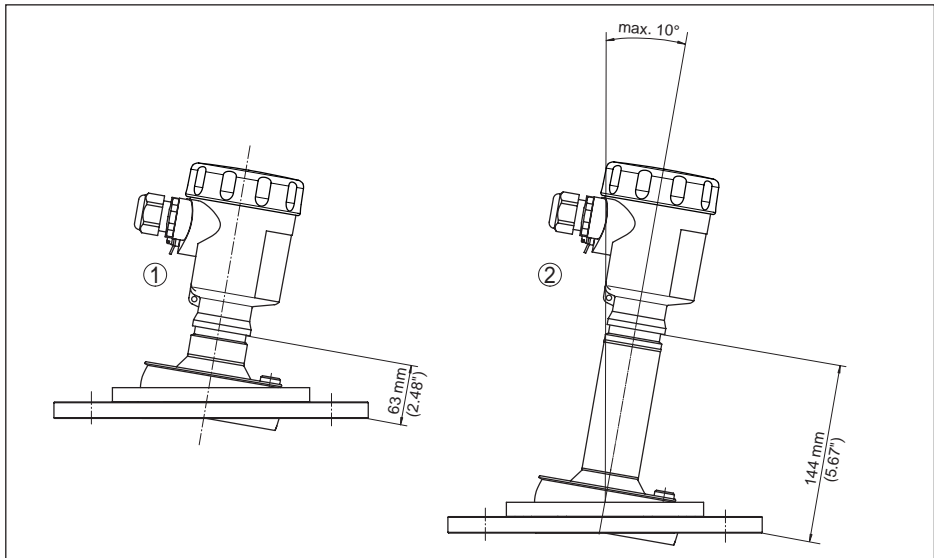


Fig. 47: LBR, metal-jacketed lens antenna and swivelling holder

- 1 Version up to 130 °C (266 °F)
- 2 Version up to 200 °C (392 °F)

LBR, metal-jacketed lens antenna with swivelling holder and rinsing connection

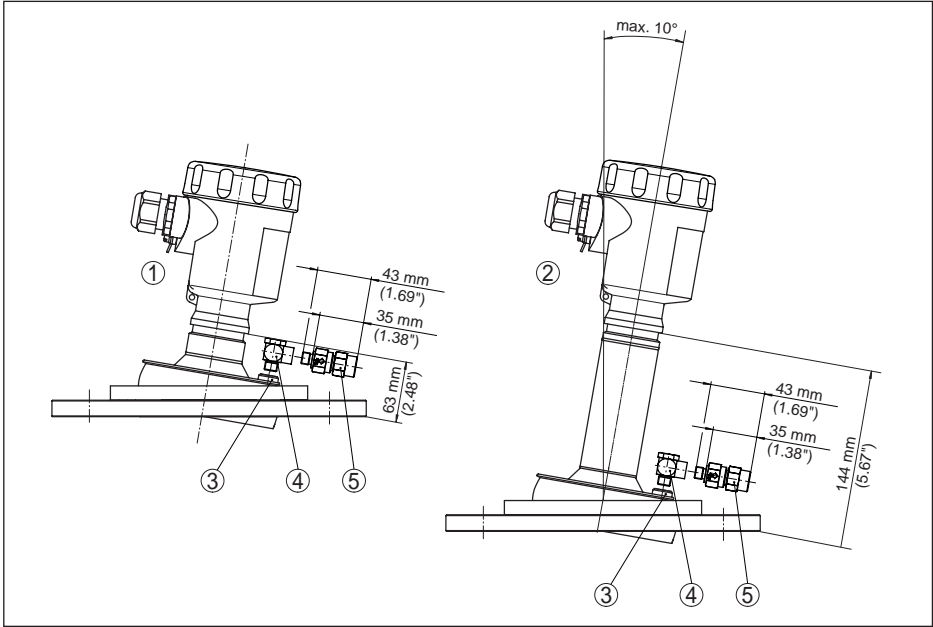


Fig. 48: LBR, metal-jacketed lens antenna with swivelling holder and rinsing connection

- 1 Version up to 130 °C (266 °F)
- 2 Version up to 200 °C (392 °F)
- 3 Blind plug
- 4 90° angle joint
- 5 Reflux valve

LBR, plastic horn antenna with compression flange

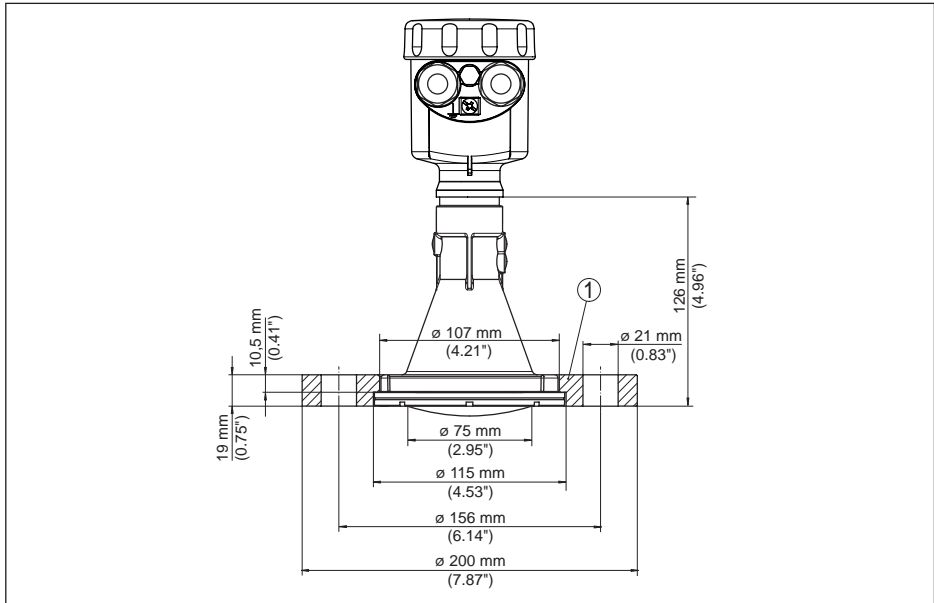


Fig. 49: LBR with compression flange suitable for flanges 3" 150 lbs, DN 80 PN 16

1 Compression flange

LBR, plastic horn antenna with compression flange and rinsing connection

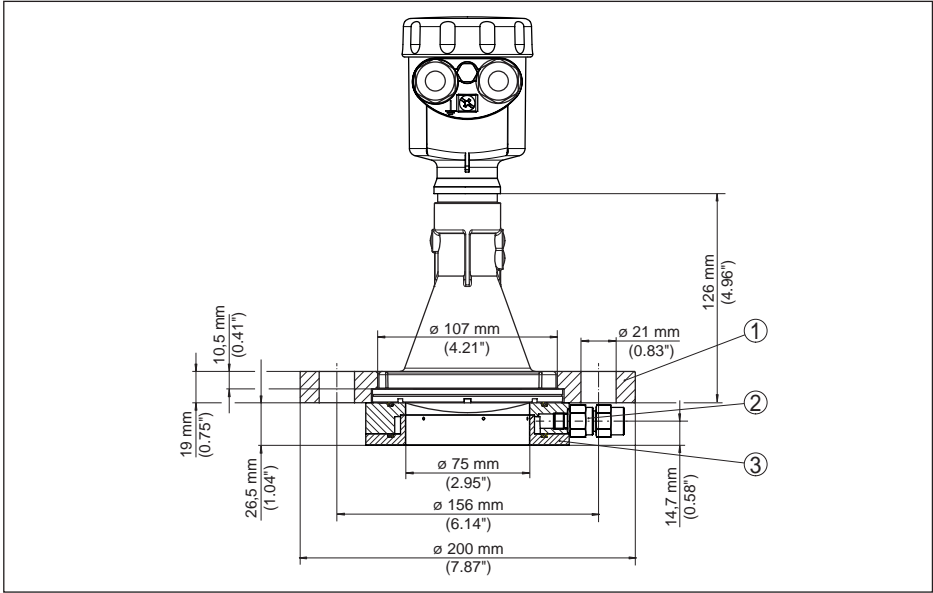


Fig. 50: LBR with compression flange suitable for flanges 3" 150 lbs, DN 80 PN 16 and rinsing connection

- 1 Compression flange
- 2 Reflux valve
- 3 Rinsing connection

LBR, plastic horn antenna with adapter flange

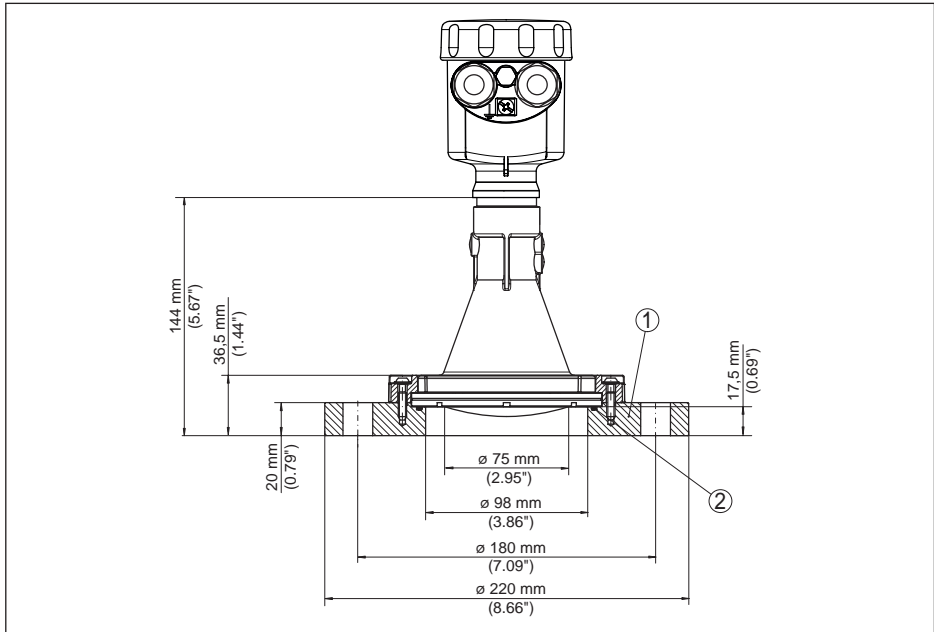


Fig. 51: LBR with adapter flange DN 100 PN 16

- 1 Adapter flange
- 2 Process seal

LBR, plastic horn antenna mit adapter flange und rinsing connection

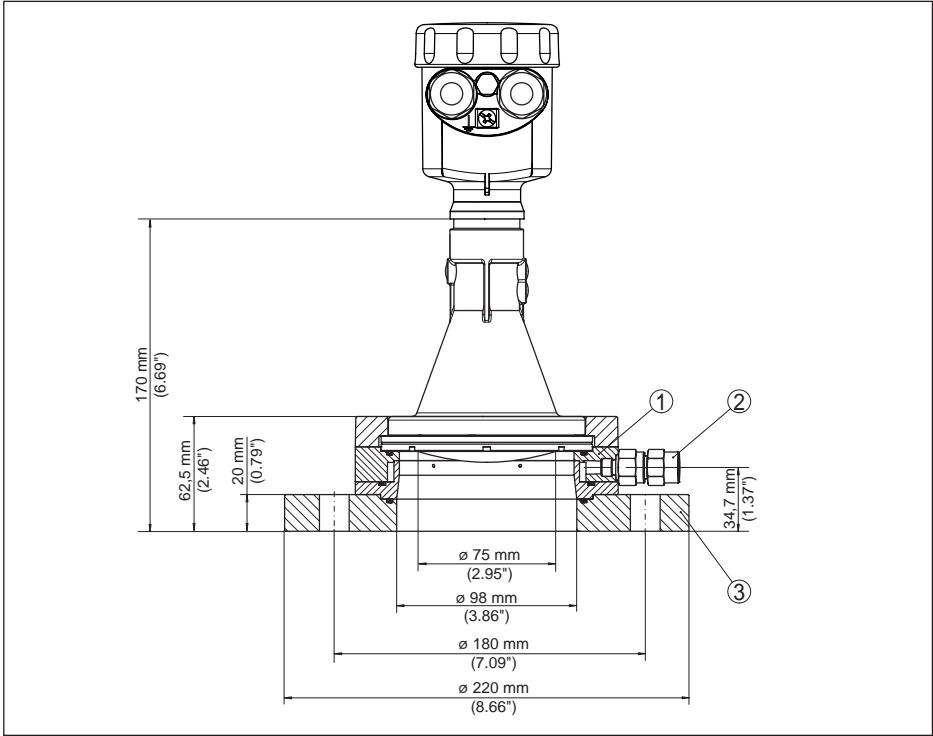


Fig. 52: LBR, adapter flange DN 100 PN 16 and rinsing connection

- 1 Rinsing air connection
- 2 Reflux valve
- 3 Adapter flange

LBR, plastic horn antenna with mounting strap

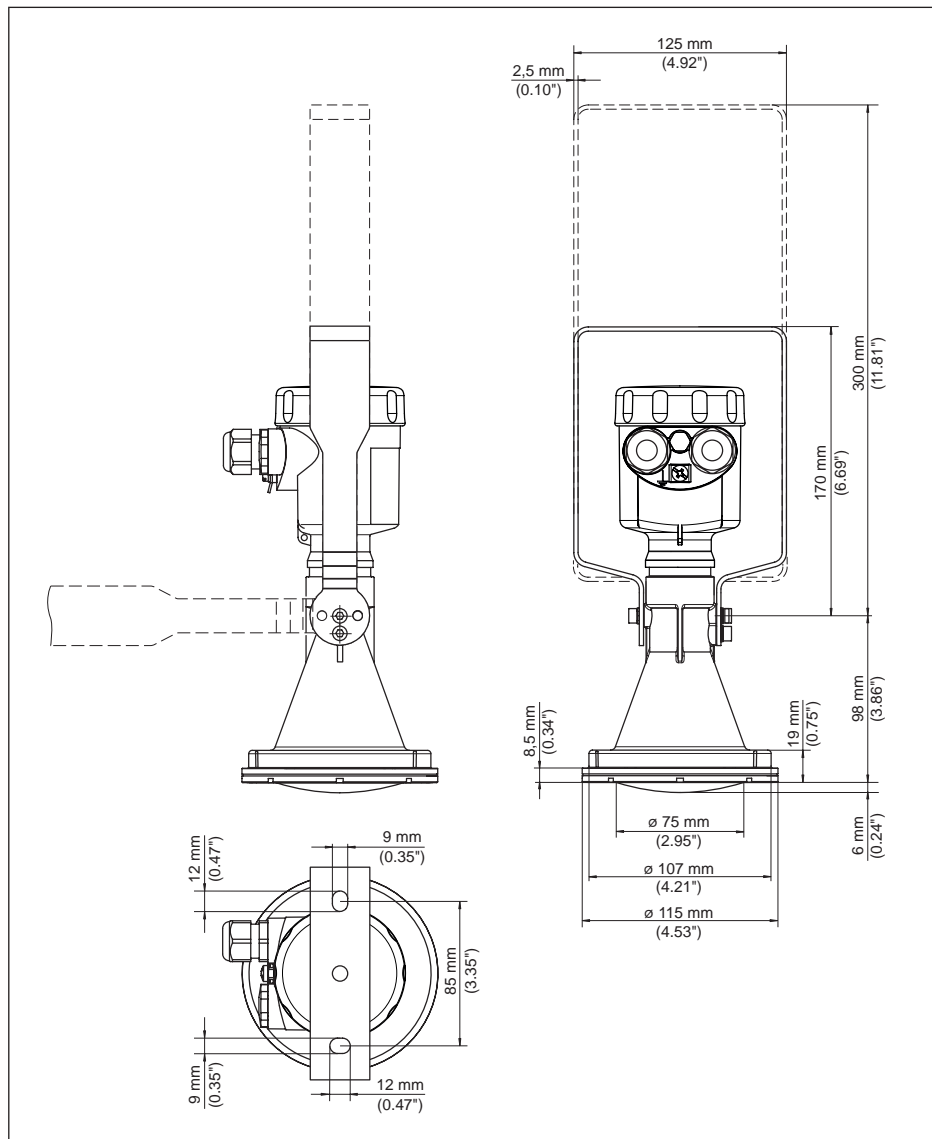


Fig. 53: LBR, plastic horn antenna, mounting strap in 170 or 300 mm length

LBR, thread with integrated horn antenna

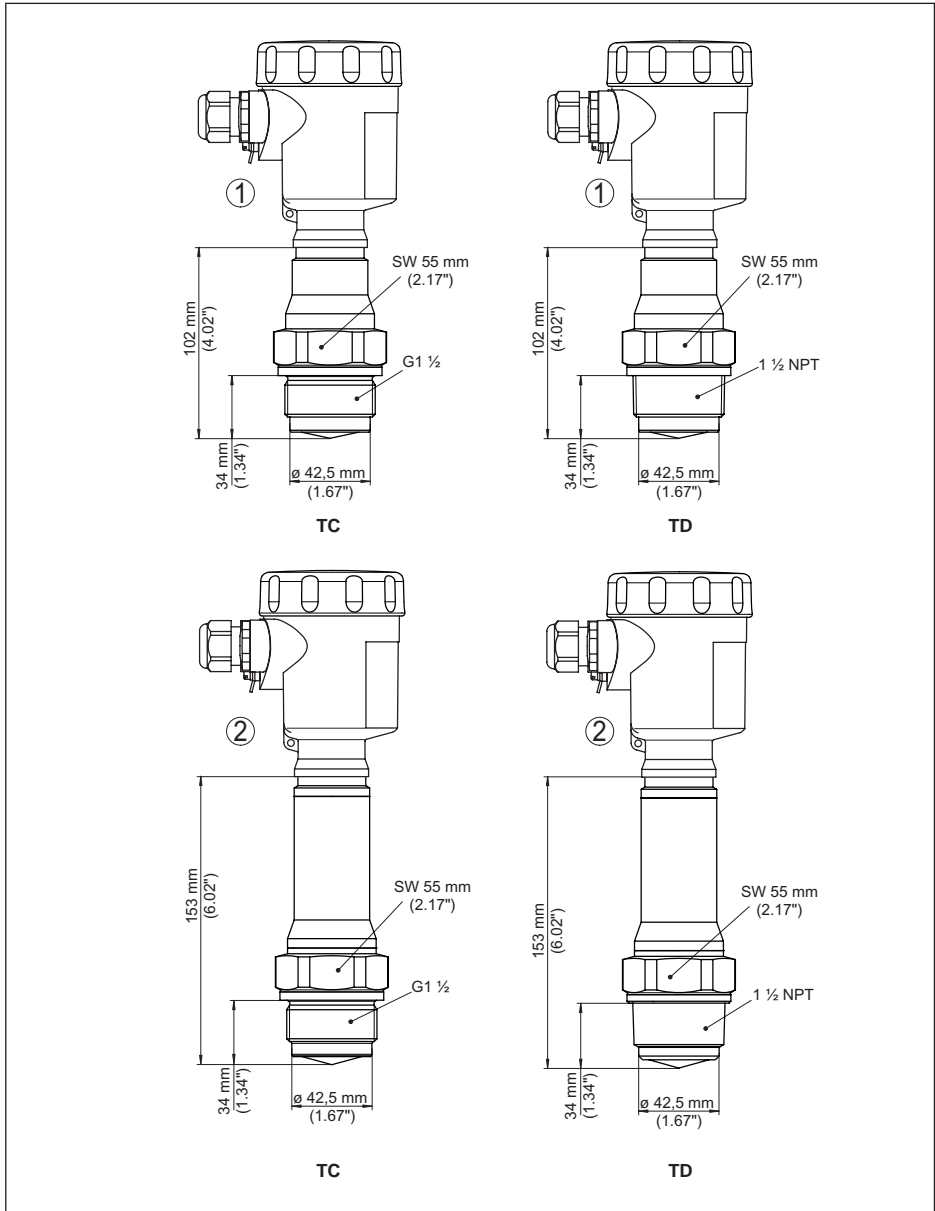


Fig. 54: LBR, thread with integrated horn antenna

TC G1 1/2 (DIN 3852-A)

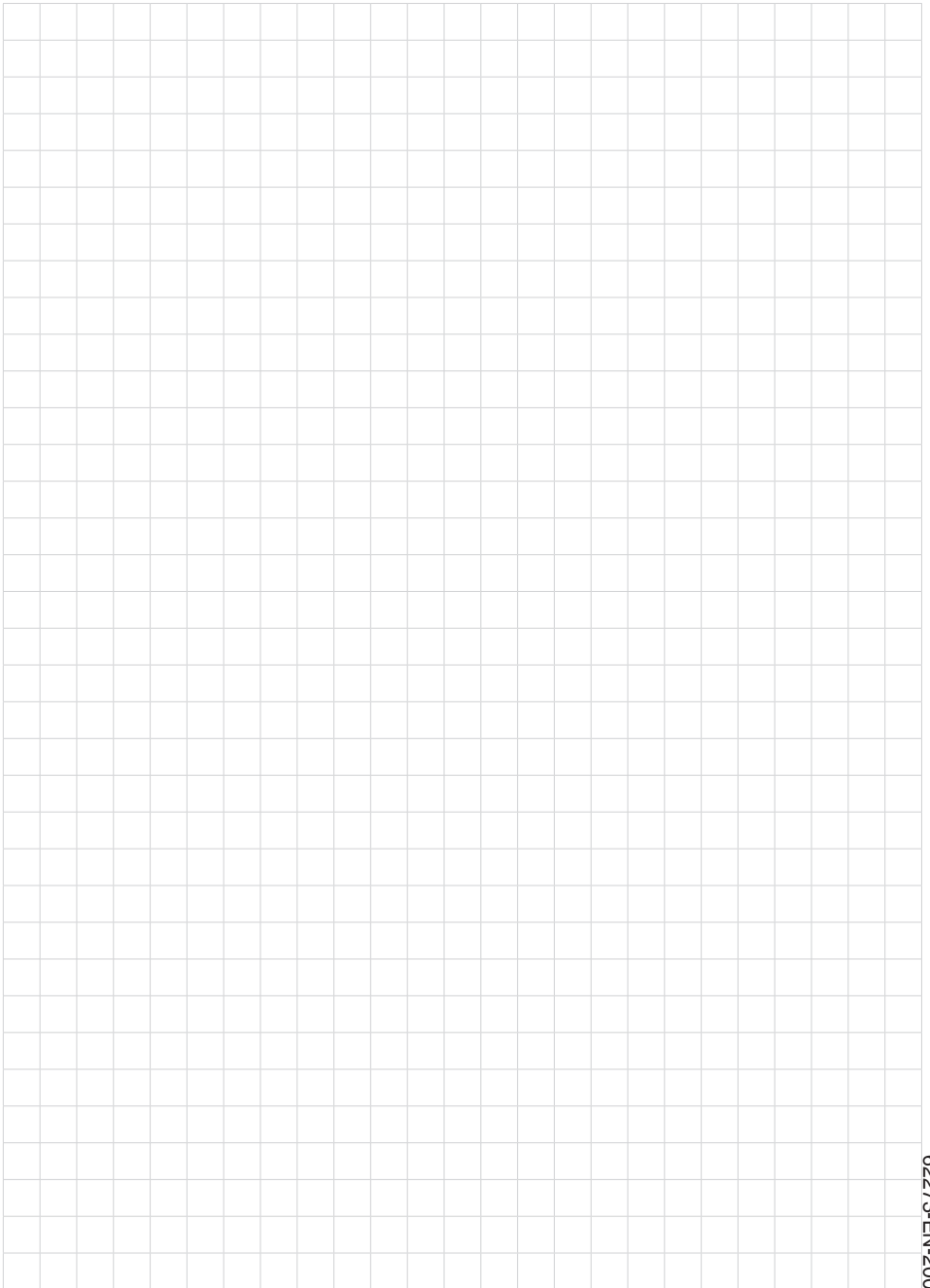
TD 1 1/2 NPT (ASME B1.20.1)

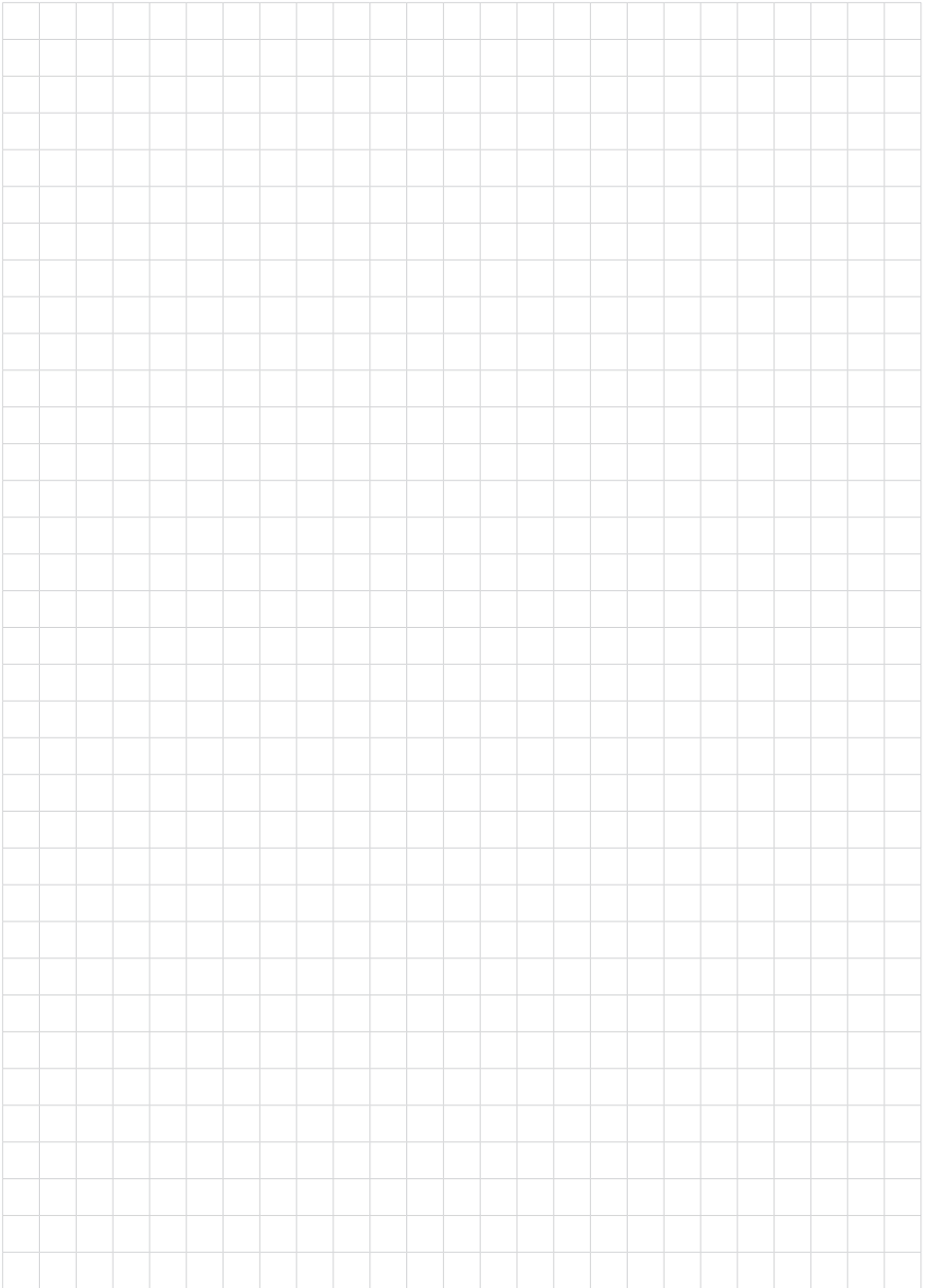
1 Version up to 130 °C (266 °F)

2 Version up to 200 °C (392 °F)

10.4 Trademark

All the brands as well as trade and company names used are property of their lawful proprietor/originator.





Australia
Phone +61 3 9497 4100
1800 33 48 02 – tollfree
E-Mail sales@sick.com.au

Belgium/Luxembourg
Phone +32 (0)2 466 55 66
E-Mail info@sick.be

Brasil
Phone +55 11 3215-4900
E-Mail sac@sick.com.br

Česká Republika
Phone +420 2 57 91 18 50
E-Mail sick@sick.cz

China
Phone +852-2763 6966
E-Mail ghk@sick.com.hk

Danmark
Phone +45 45 82 64 00
E-Mail sick@sick.dk

Deutschland
Phone +49 211 5301-301
E-Mail info@sick.de

España
Phone +34 93 480 31 00
E-Mail info@sick.es

France
Phone +33 1 64 62 35 00
E-Mail info@sick.fr

Great Britain
Phone +44 (0)1727 831121
E-Mail info@sick.co.uk

India
Phone +91-22-4033 8333
E-Mail info@sick-india.com

Israel
Phone +972-4-999-0590
E-Mail info@sick-sensors.com

Italia
Phone +39 02 27 43 41
E-Mail info@sick.it

Japan
Phone +81 (0)3 3358 1341
E-Mail support@sick.jp

Nederlands
Phone +31 (0)30 229 25 44
E-Mail info@sick.nl

Norge
Phone +47 67 81 50 00
E-Mail austefjord@sick.no

Österreich
Phone +43 (0)22 36 62 28 8-0
E-Mail office@sick.at

Polska
Phone +48 22 837 40 50
E-Mail info@sick.pl

Republic of Korea
Phone +82-2 786 6321/4
E-Mail kang@sickkorea.net

Republika Slovenija
Phone +386 (0)1-47 69 990
E-Mail office@sick.si

România
Phone +40 356 171 120
E-Mail office@sick.ro

Russia
Phone +7 495 775 05 34
E-Mail info@sick-automation.ru

Schweiz
Phone +41 41 619 29 39
E-Mail contact@sick.ch

Singapore
Phone +65 6744 3732
E-Mail admin@sicksgp.com.sg

Suomi
Phone +358-9-25 15 800
E-Mail sick@sick.fi

Sverige
Phone +46 10 110 10 00
E-Mail info@sick.se

Taiwan
Phone +886 2 2365-6292
E-Mail sickgrc@ms6.hinet.net

Türkiye
Phone +90 216 587 74 00
E-Mail info@sick.com.tr

USA/Canada/México
Phone +1(952) 941-6780
1800-325-7425 – tollfree
E-Mail info@sickusa.com

More representatives and
agencies in all major industrial
nations at www.sick.com

SICK
Sensor Intelligence.